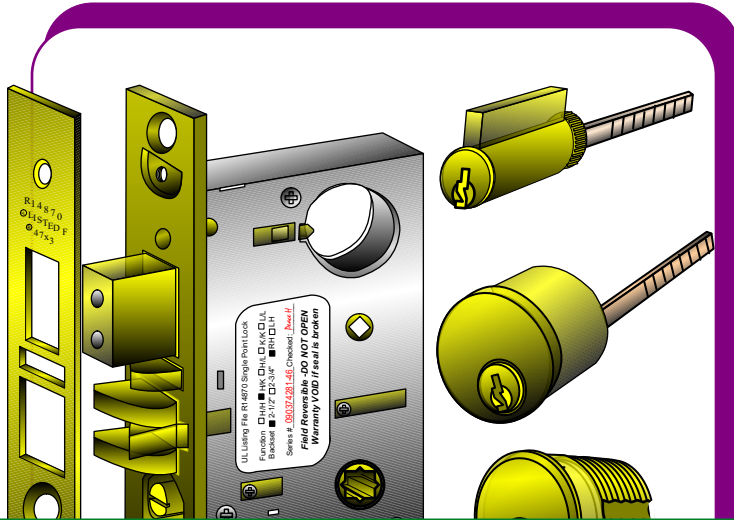


# baton<sup>®</sup>

Security Products since 1973



**Catalogue  
2024.14  
Decorative  
Door  
Hardware**

## **Chapter L**

- 'LT' Entrance, Passage & Privacy, standard & custom backsets Latches**
- Hook & Mortise Bolts**
- Faceplates standard & combo**
- Combo, T & Full Lip Strikes**
- Power Pack, Rosette Adapter, Transfer Unit, Trim sets,**
- Spindles & Accessories**

**Baton Security Products  
11521 Salinaz Drive,  
Garden Grove,  
CA 92843 USA**

**Tel: (714) 590 6969  
Fax: (714) 590 6960**

**Tooling, manufacturing as well as purchasing stock items are additional benefits of doing business with Baton.**

**[www.batonlockusa.com](http://www.batonlockusa.com) [www.batonhardware.com](http://www.batonhardware.com)**

**Email : [Sales@batonlockusa.com](mailto:Sales@batonlockusa.com)**

## Terms and Freight Policy -

All prices are based on FOB our warehouse. Net 30 days can be arranged upon approval on open account others will be prepaid. Any past due account is subject to a financial charge at 1.5% on unpaid balance billed monthly. No further shipment will be honored until account is brought back to current. Service charges will apply to all the returned checks. Unless you specify otherwise, will use a carrier and route of our choice. Claim for loss or damage in transit should be made by you against the carrier. All goods are shipped at the customers risk; our responsibility ceases upon delivery in good order to the carrier.

## Receipt and Return Goods Policy -

All goods are shipped and invoiced FOB our warehouse plus the freight costs. Unless you specify otherwise, we will use a common carrier and route of our choice. Special arrangement may be available and subject to our final confirmation. To protect your interest, it is suggested that to file the damage report with the carrier upon reception of damaged or open shipment.

Any discrepancy regarding the shipment must be claimed within 5 days after merchandise received. A RGA number must be obtained from our CSR prior to the merchandise returned. The RGA number is valid for 2 weeks from the date issued. All returns must be in original packaging and saleable condition. A 25% restocking charge and freight will apply to all goods returned within 60 days from date of invoice. A 35% restocking charge and freight will apply to all goods returned after 60 days from date of invoice. No merchandise held over 120 days from the date of invoice will be accepted for return. No returns will be accepted on special ordered, custom made or non-stock item, other than factory defect.

## Orders and Cancellations -

Order and/or cancellations will not be processed without written confirmation from customer. Any order shipped before written request of cancellation or change is received will incur handling charges as stated above. Special orders and custom made items are not cancelable after a period of 3 days from date of order. Partial orders shall be accepted by the customer and paid for at the contract prices and terms. Order received by Baton constitute acceptance of terms outlined in this document. Baton is not responsible for any loss or damage due to delays or extended delivery dates of goods.

## Limited Warranty -

Baton warrants that its products will be free from defects in materials and workmanship (excluding oxidation or discoloration) for a period of one year from the date of sales to the user. Our only obligation will be to replace the defective product or parts upon inspection, together with proof of purchase from one of our agents dated within the warranty period. **We assume no liability for any labor charges regarding the removal or reinstallation of the products; nor will we cover any freight, postage, traveling or handling expense relative to the product. Damage caused by accident, misuse, abuse or improper installation are not covered by this warranty. Except as expressly stated herein, there is no warranty, whether expressed or implied, provided by Baton. No other person has authority to assume any obligation or liability in addition to this warranty.**

## Validity and Special Note -

This catalogue with Price List enclosed is good for six (6) months from the date issued and supersedes all previous catalogues and Price Lists. Baton is not responsible for any typographic errors or errors in indication.

**Models LT245 Passage Latch, Mortise Bolt & LT250LS Passage Latch/light weight**

The housing of models LT245 narrow backset Passage Latch and Mortise Bolt are made of die cast alloy, featuring a 5/8" wide case front to accommodate both thick and thin screen doors. Model LT245KS Passage latch is constructed with a non-handed stainless steel (S) latch tongue. Knob strength, Latch is retractable both at clockwise and counterclockwise rotation.

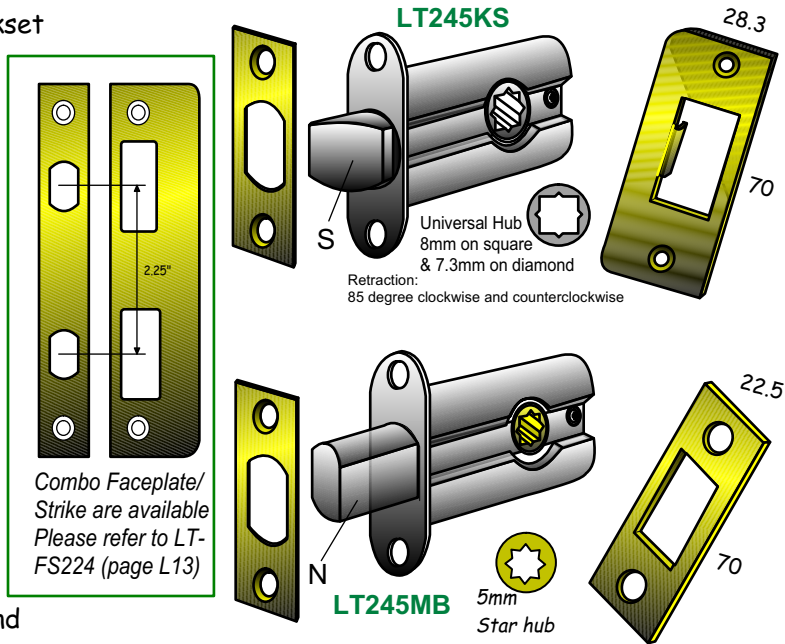
Model LT245MB Mortise bolt features a 3/4" throw nickel plated (N) brass bolt. Furnished with a Faceplate, Strike and Screws. Packed in individual box, 40 to a carton.

Hub size:

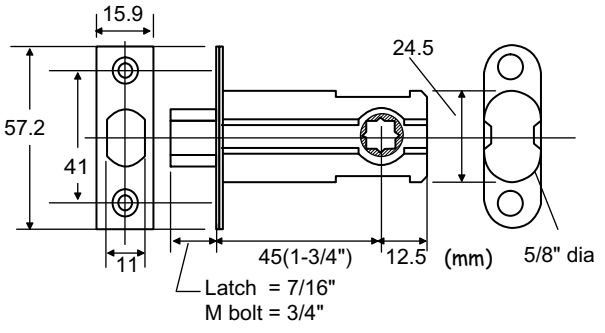
Latch : 8mm on Square/7.3mm on Diamond

M.Bolt: 5mm on diamond/square

Finishes: US10B, 19, 3 & 32D



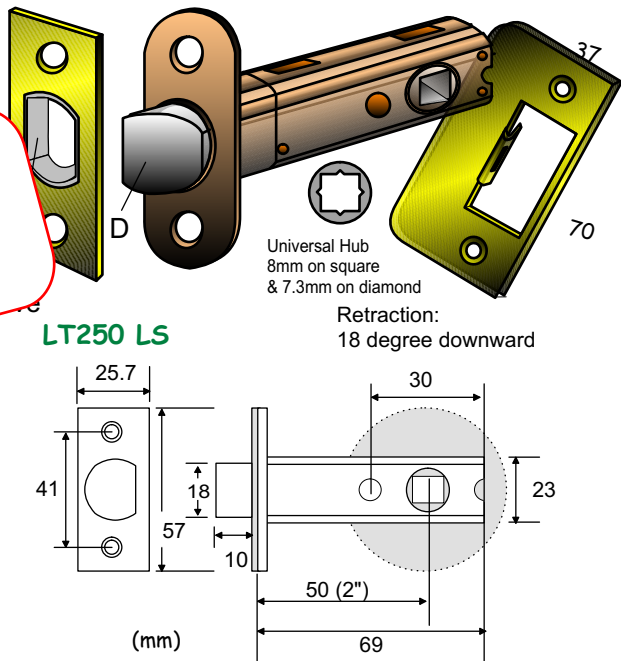
Combo Faceplate/Strike are available Please refer to LT-FS224 (page L13)



Stock No.	Description	Backset
LT245KS 8S	Passage Latch	1-3/4" (45mm)
LT245MB 5N	Mortise Bolt	1-3/4" (45mm)

Model LT250 LS Non-handed Passage Latch has a die cast construction, featuring a special axis-hub that requires very little lever action (18 degrees) to retract the latch. A nylon sleeve is installed between the housing front and bright chrome plated tongue (D) to ensure a smooth long lasting operation. Lever applied to the tongue. Strike, Dust Cap. Packed each in inner box, 80 to a carton. Hub size: 8mm on square. Finish in stock : US10B, 19, 3 and 32D

**N/A See LT880 / Page L10 for substitution.**



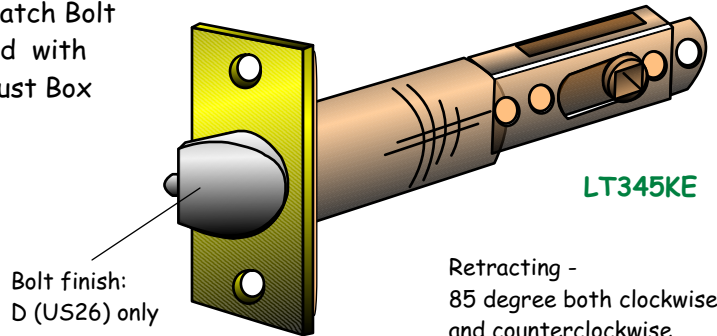
Stock No	Description	Backset.
LT250LS 8D	Passage Latch	2" (50mm)

L01

**Model LT345KE Entrance Latch &  
Model LT367KE Entrance Latch/UL-F90**

Model LT345 Entrance Latch is featured with an auxiliary dead locking Bolt, deadlocks the Latch Bolt (D=US26) when the door is closed. Supplied with Faceplate (LT-F3) , T-Strike(LT-ST181), Dust Box and Screws.

Finishes: US10B, 19, 3, 32 & 32D.  
Hub size: 8mm on Square  
Backset: 2-3/8" ~ 2-3/4" adjustable, or extended custom length

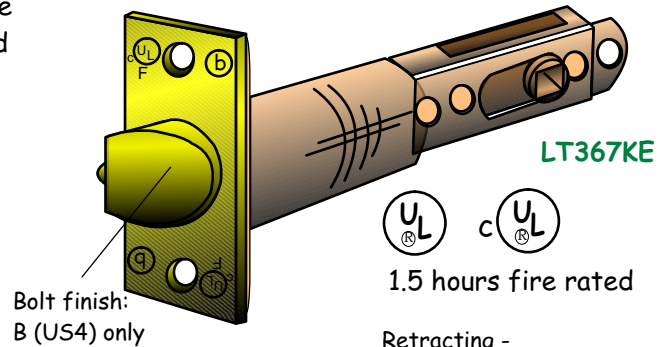


**LT345KE**

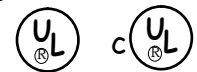
Retracting -  
85 degree both clockwise  
and counterclockwise

Model LT367 Entrance Latch is featured with an auxiliary dead locking bolt, deadlocks the latch when the door is closed. UL and cUL listed for use on 1.5 hour fire rated, A label doors. Supplied with Face Plate, T-Strike (LT-ST182), Dust Box (LT-G1) and Screws in individual box.

Finishes: US10B, 15A, 19, 3 & 32D  
Hub size: 8mm on Square  
Bolt finish: satin brass (B=US4)  
Backset: 2-3/8" and 2-3/4" adjustable, or extended custom length.



**LT367KE**

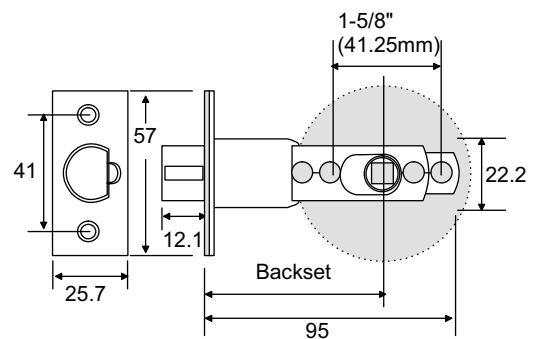


1.5 hours fire rated

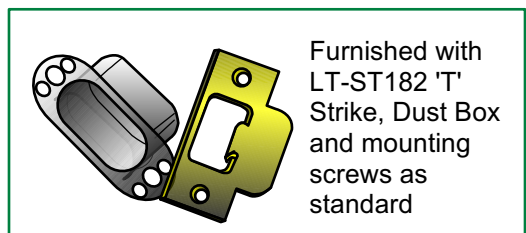
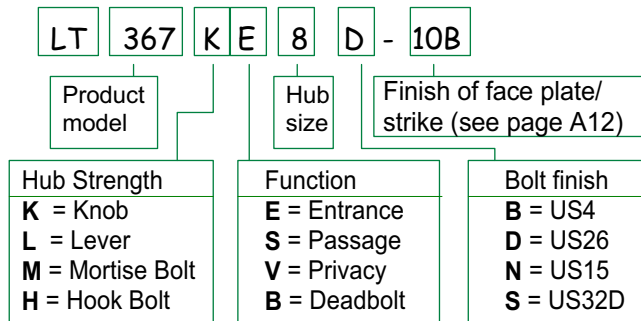
Retracting -  
45 degree both clockwise  
and counterclockwise

Both models are constructed with soft spring action. Additional power pack is recommended when applying to Lever or weighted Knob.

Stock No.	Description	Backset
LT345KE8D-__ LT34CKE8D-__	Entrance Latch Entrance Latch	2-3/8"~2-3/4" adj. Custom length
LT367KE8B-__ LT36CKE8B-__	Entrance Latch Entrance Latch	2-3/8"~2-3/4" adj Custom length



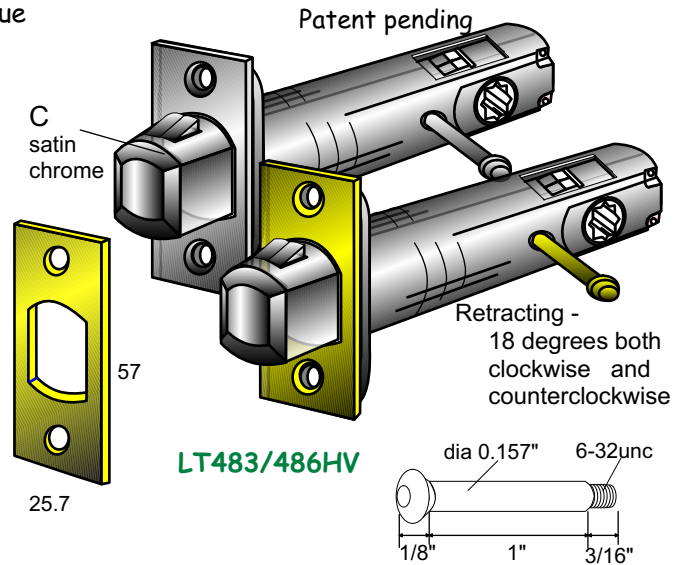
**'LT' Latch Code Interpretation Guide**



# Models LT483/486HV Heavy Duty Hook Bolt Latch & 7mm Hub Sleeve

L03

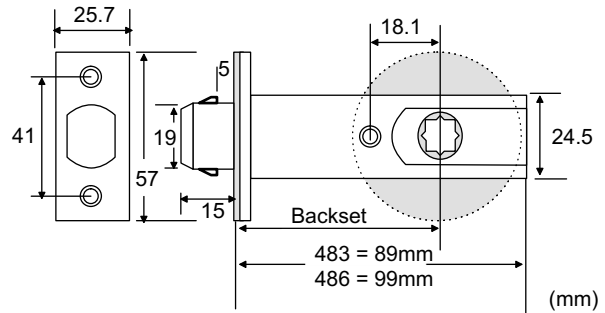
Models LT483/486 Hook Bolt Latches have a unique design - requiring only 18 degrees to retract the Hook. Ideal for using on a sliding or barn door. The Hook Bolt Latch can be retracted both clockwise and counterclockwise on either side, except when is locked with Privacy Button from inside, then retracted by inside Lever, automatically unlocking outside Lever. When the Hook Bolt is locked by inside Privacy Button, the outside Lever is rigid. The outside Lever can operate the Hook Bolt only after the Privacy Block is released from the outside emergency release hole. Eliminate the use of Privacy Pin works as a passage.



Latch is supplied with satin chrome (C) Bolt only.  
Hub size: 8.0mm Square/7.3mm Diamond

The Hook Bolt Latch is supplied with a Faceplate, Strike, Dust box and mounting Screws as standard.  
Backset: 2-3/8"(60mm) & 2-3/4" (70mm) .

Finishes: US10, 10B, 14, 15, 15A, 19, 26, 26D, 3, 32D, 4, 5, & 9



**N8Z-H7**

7mm hub sleeve/  
to convert for 7mm  
on square spindles

Universal Hub  
8mm on square  
& 7.3mm on diamond

The Privacy function has an anti-lock feature. Depressing the Hooks by Strike when door is closing, or operating the inside Knob/Lever unlocks the latch.

Stock No.	Backset	Function	Bolt finish
LT483HV8B/C	2-3/8"(60mm)	Privacy	Satin chrome
LT486HV8B/C	2-3/4"(70mm)	Privacy	Satin chrome

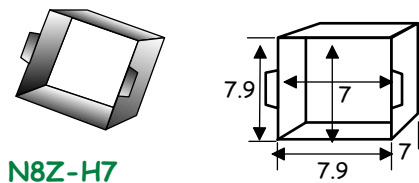
- See Page L02 Code Interpretation Guide for ordering

Model N8-H7 Hub Sleeve is designed to convert a Mortise Lock Case or a Latch to take a 7mm Spindle from a regular 8mm hub. For the split hub application, simply insert the Hub Sleeve from each side of the Hubs of the Lock or Latch

LT-MA186/MA281

Stabilizer is recommended

Stock No.	Description
N8-H7	Hub Sleeve, 7 x 7mm

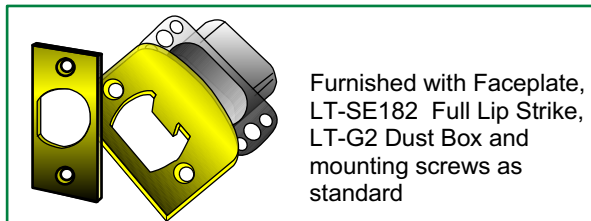


# Series LT580 Heavy Duty Standard & Extended Tubular Latch

Series LT580 Tubular Latch has a unique design - requiring only 28 degrees both clockwise and counterclockwise rotations on either side to retract the Bolt. The satin nickel (N) finished forged latch bolt is reversible to facilitate door handing. Latch is assembled with Knob strength only. Power Pack (LT-RS150) or a similar assist spring cage is recommended for heavier Lever application. Latch is supplied with Privacy function only. Eliminating the installation of the privacy pin works as a passage latch.

The Privacy function has an anti-lock feature. Depressing the latch bolt by the strike when door is closing, or operating the inside Knob/Lever unlocks the latch.

Hub size: 8.0mm Square/7.3mm Diamond  
Finishes: US10, 10B, 14, 15, 15A, 19, 26, 26D, 3, 32D, 4, 5, & 9

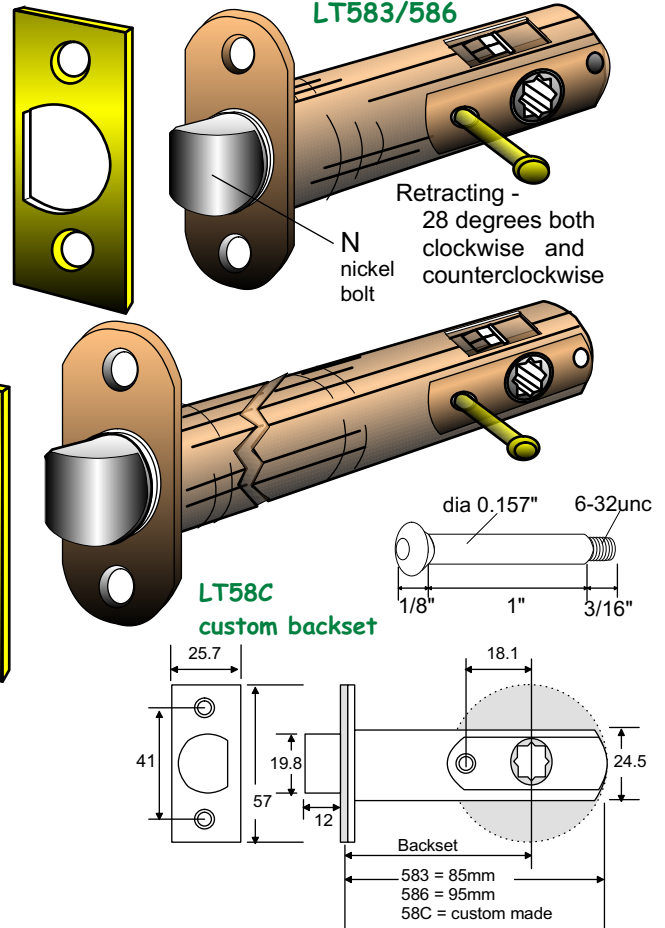


Stock No.	Backset	Function	Bolt finish
LT583KV8N-	2-3/8"	Privacy (K/K)	Satin Nickel
LT586KV8N-	2-3/4"	Privacy (K/K)	Satin Nickel

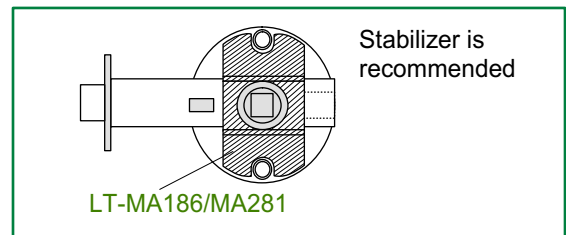
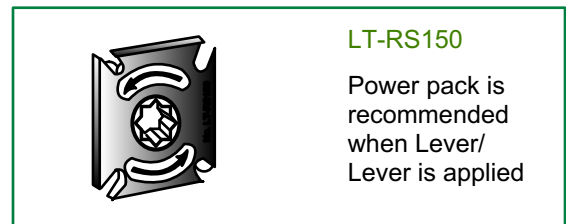
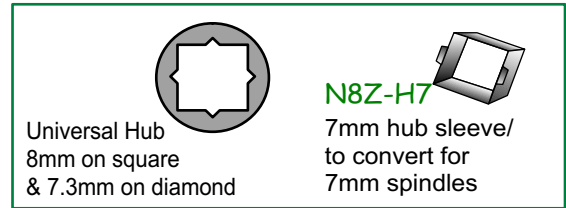
- See Page L02 Code Interpretation Guide for ordering
- For extended T Strikes, Full Lip Strikes and Combo Faceplate/Strikes please refer to pages L12 and L13

Custom made Extended Tubular Latch - Extended backset Tubular Latch in various lengths can be ordered as a custom made item. Please call Baton's CSR for details.

Stock No.	Backset	Function	Bolt finish
LT58CKV8N	Custom	Privacy (K/K)	Satin Nickel



L04

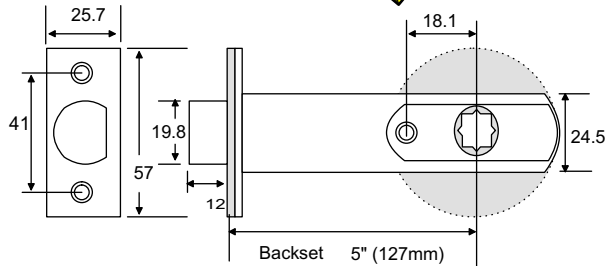
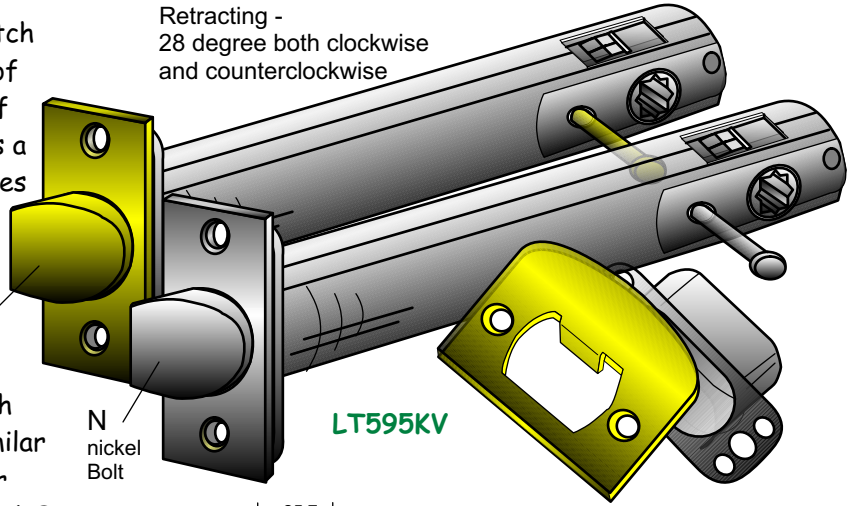


# Model LT595 Heavy Duty 5" Stainless Steel Tubular Latch

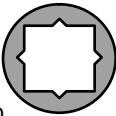
Model LT595 5" backset Tubular Latch is a totally solid construction - made of selected stainless steel for rust proof and life time operation. The Latch has a unique design, requiring only 28 degrees both clockwise and counterclockwise rotations on either side to retract the Bolt. The forged brass Bolt (B or N finish) is reversible to facilitate door handing. Latch is assembled with Knob strength only. Power Pack (LT-RS150) or a similar assist spring cage is recommended for heavier Lever application. Supplied with Privacy function only. Eliminating the installation of the privacy pin works as a passage latch.

Furnished with a Face plate (LT-F1), a Strike (LT-SE182), a Dust box and mounting Screws. Hub size: 8.0mm Square/7.3mm Diamond Finishes: US10, 10B, 14, 15, 15A, 19, 26, 26D, 3, 32, 32D, 4, 5 & 9. Backset: 5" (127mm)

Retracting -  
28 degree both clockwise  
and counterclockwise




L05



Universal Hub  
8mm on square  
& 7.3mm on diamond

**N8Z-H7**

7mm hub sleeve/  
to convert for  
7mm spindles




Stock No.	Description	Bolt finish
LT595KV8B-__	Privacy Latch 5" (127mm)	Satin brass US4
LT595KV8N-__		Satin nickel US15

- See Page L02 Code Interpretation Guide for ordering
- For extended T Strikes, Full Lip Strikes and Combo Faceplate/Strikes please refer to pages L12 and L13

1/4" radius corners Faceplate for series 'LT' Tubular latch is optional.  
Finishes available from stock: US10B, 19, 3, 32D

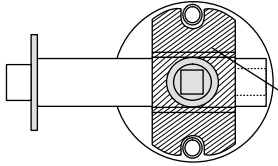
Stock No.	Description
LT-FR	Faceplate, 1/4" radius corner

The Privacy function has an anti-lock feature. Depressing the latch bolt by strike when door is closing, or operating the inside Knob/Lever unlocks the latch.



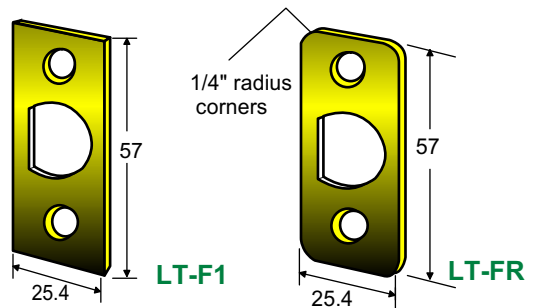
**LT-RS150**

Power pack is recommended when Lever/ Lever is applied



**LT-MA186/MA281**

Stabilizer is recommended



# Models LT673/676 Heavy Duty Passage Latch - for minimum face bore

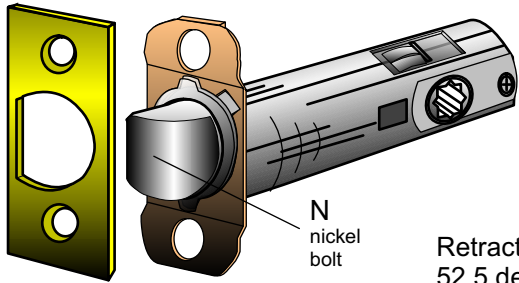
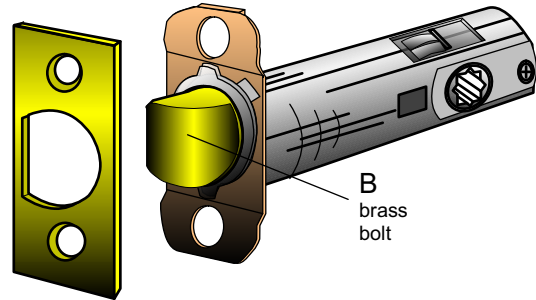
Models LT673/676 Passage latches have a shorter die cast alloy housing. Non-handed, features an adjustable Armor Front that accommodates both straight and beveled doors. The stainless steel latch bolt is featured with silent strip (S), ensuring a quiet and long lasting smooth operation. The Latch can also be ordered with brass bolt without silent strip, in finishes of satin brass (B) or satin nickel (N).

The Latch is constructed with smaller hub wings, no protruding on hub rotations, requires very minimum facebore hole, as small as for spindle only, applies for the regular and narrow style rosettes and trims.

The split-hub construction allows the latch bolt be retracted in both clockwise and counterclockwise rotations on either side. Hub size: 8mm Square + 7.3mm on Diamond. A hub sleeve (NZ-H7) is to order for 7mm-spindle application.

Three hub strengths are supplied: Knob/ Knob(K), Lever/Lever(L) and softer strength for Thumb Piece(T).

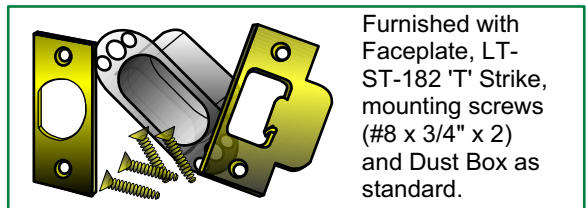
Finishes: US10, 10B, 14, 15, 15A, 26, 26D, 3, 32, 32D, 4, 5, & 9



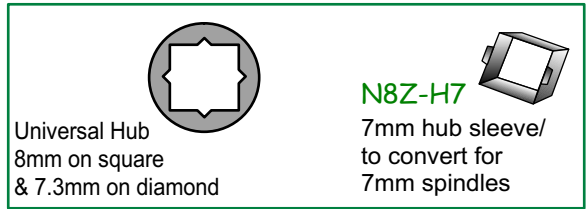
LT673 2-3/8"  
LT676 2-3/4"

Retracting - 52.5 degrees both clockwise and counterclockwise

L06



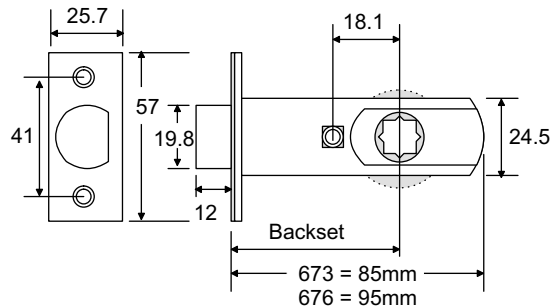
Furnished with Faceplate, LT-ST-182 'T' Strike, mounting screws (#8 x 3/4" x 2) and Dust Box as standard.



Universal Hub 8mm on square & 7.3mm on diamond

N8Z-H7 7mm hub sleeve/ to convert for 7mm spindles

Stock No.		Function	Bolt finish
2-3/8" (60mm)	2-3/4" (70mm)		
LT673 KS8 B-__ LT673 LS8 B-__	LT676 KS8 B-__ LT676 LS8 B-__	Passage (K/K) Passage (L/L)	US4 US4
LT673 KS8 N-__ LT673 LS8 N-__	LT676 KS8 N-__ LT676 LS8 N-__	Passage (K/K) Passage (L/L)	US15 US15



- See Page L02 Code Interpretation Guide for ordering  
- For extended T Strikes, Full Lip Strikes and Combo Faceplate/Strikes please refer to pages L12 and L13

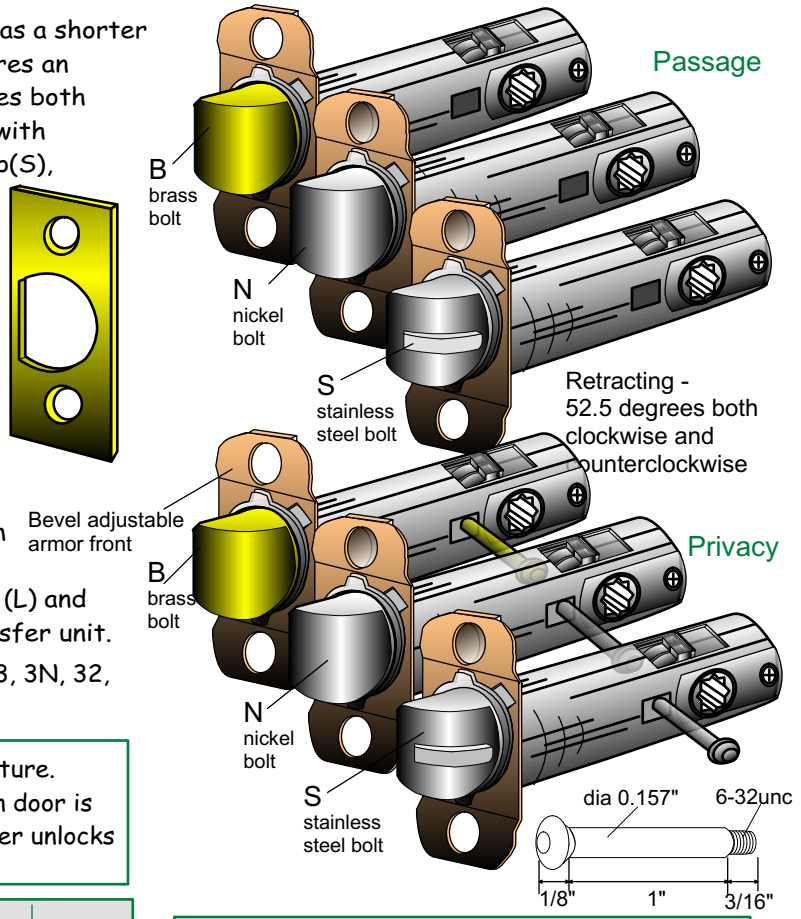


# Models LT683/686 Heavy Duty Tubular Latch - Armor Front adjustable

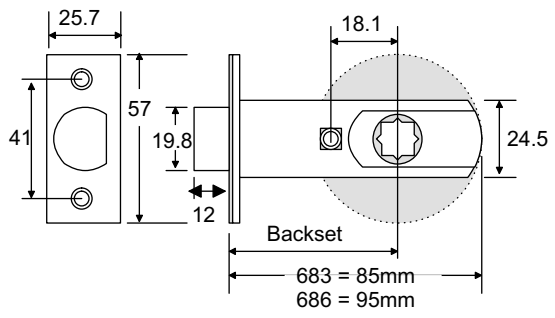
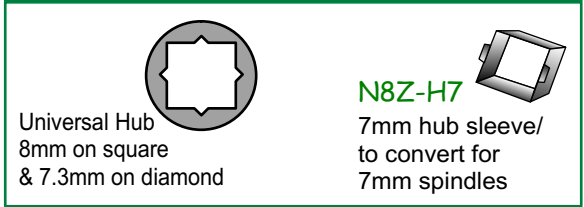
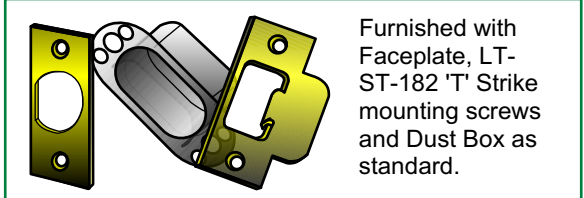
Models LT683 and LT686 Tubular Latch has a shorter die cast alloy housing. Non-handed, features an adjustable Armor Front that accommodates both straight and beveled doors. Constructed with stainless steel Latch Bolt with Silent Strip(S), ensuring a quiet and long lasting smooth operation. The 2-3/8" Knob Latch(K/K) can also be ordered with brass Bolt without silent strip, in satin brass (B) or satin nickel (N) finish.

Split-hub construction allows the Latch Bolt be retracted in both clockwise and counterclockwise rotations on either side. Hub sizes: 8mm Square + 7.3mm Diamond. A Hub Sleeve(NZ-H7) is to order for 7mm spindle application. Three Hub strengths are supplied: Knob/Knob (K), Lever/Lever (L) and softer strength (T) for Thumb Piece/transfer unit. Finishes: US10, 10B, 14, 15, 15A, 26, 26D, 3, 3N, 32, 32D, 4, 5, & 9

The Privacy function has an anti-lock feature. Depressing the latch bolt by strike when door is closing, or operating the inside Knob/Lever unlocks the latch.



Stock No.		Backset	Hub strength	Bolt finish
Passage	Privacy			
LT683KS8 B-__	LT683KV8 B-__	2-3/8"	K/K	US 4
LT683KS8 N-__	LT683KV8 N-__	2-3/8"	K/K	US 15
LT683KS8 S-__	LT683KV8 S-__	2-3/8"	K/K	US32D
LT683LS8 B-__	LT683LV8 B-__	2-3/8"	L/L	US 4
LT683LS8 N-__	LT683LV8 N-__	2-3/8"	L/L	US 15
LT683LS8 S-__	LT683LV8 S-__	2-3/8"	L/L	US32D
LT683TS8 B-__	LT683TV8 B-__	2-3/8"	T/K	US 4
LT683TS8 N-__	LT683TV8 N-__	2-3/8"	T/K	US 15
LT683TS8 S-__	LT683TV8 S-__	2-3/8"	T/K	US32D
LT686KS8 S-__	LT686KV8 S-__	2-3/4"	K/K	US32D
LT686LS8 S-__	LT686LV8 S-__	2-3/4"	L/L	US32D
LT686TS8 S-__	LT686TV8 S-__	2-3/4"	T/K	US32D
LT68CKS8 _-__	LT68CKV8 _-__	custom	K/K	
LT68CLS8 _-__	LT68CLV8 _-__	custom	L/L	



- See Page L02 Code Interpretation Guide for ordering  
 - For extended T Strikes, Full Lip Strikes and Combo Faceplate/Strikes please refer to pages L12 and L13

L07

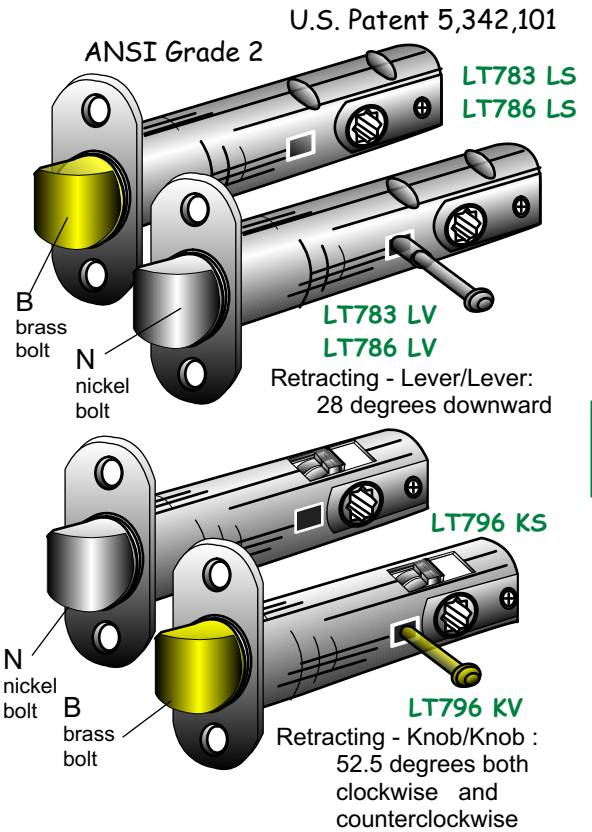
# Models LT783 LT786 LT796 Heavy Duty Tubular Latch

Baton Series LT780 Heavy duty Tubular Latches are constructed for durability and smooth operation. The forged brass latch bolt is reversible to facilitate all door handing. Available in satin brass (B) and satin nickel (N) finishes.

Latch is supplied with Lever/Lever or Knob/ Knob strengths. The Lever latch is constructed with a superior strong spring and requires only 28 degrees downward rotation to retract the bolt. The Knob latch LT796 is designed to turn clockwise or counter-clockwise 52.5 degrees to retract the bolt. The specially designed split hubs are constructed from investment cast alloy steel, and can accommodate both privacy and passage applications. Hub sizes: '8' = 7.3mm Diamond/8.0mm Square

Finishes: US10, 10B, 14, 15, 15A, 19, 26, 26D, 3, 3N, 32, 32D, 4, 5, & 9

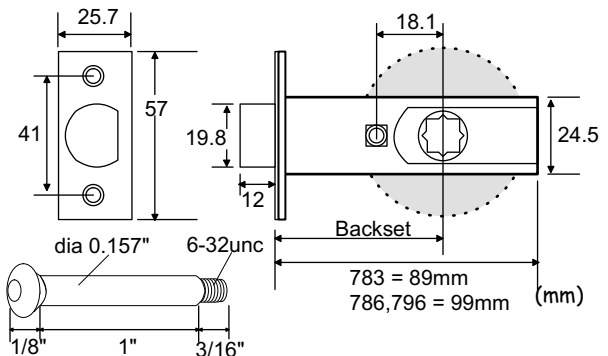
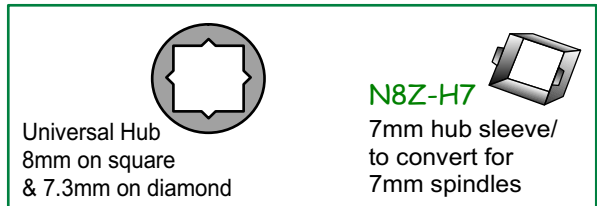
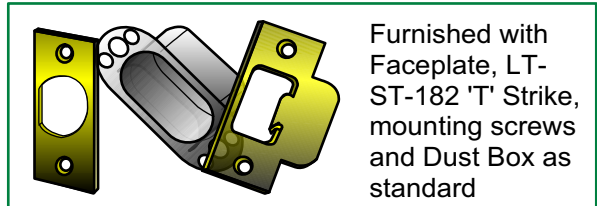
Latch, Faceplate, Strike and accessories can also be ordered separately. Please call Baton's Sales Department for details.



The Privacy function has an anti-lock feature. Depressing the latch bolt by strike when door is closing, or operating the inside Knob/Lever unlocks the latch.

Stock No.		Backset	Function
Knob/Knob	Lever/Lever		
Brass Bolt			
	LT783LS8 B-__	2-3/8"	Passage
	LT783LV8 B-__	2-3/8"	Privacy
LT796KS8 B-__	LT786LS8 B-__	2-3/4"	Passage
LT796KV8 B-__	LT786LV8 B-__	2-3/4"	Privacy
LT79CKV8 B-__	LT78CLV8 B-__	custom	Privacy
Nickel Bolt			
	LT783LS8 N-__	2-3/8"	Passage
	LT783LV8 N-__	2-3/8"	Privacy
LT796KS8 N-__	LT786LS8 N-__	2-3/4"	Passage
LT796KV8 N-__	LT786LV8 N-__	2-3/4"	Privacy
LT79CKV8 B-__	LT78CLV8N-__	custom	Privacy

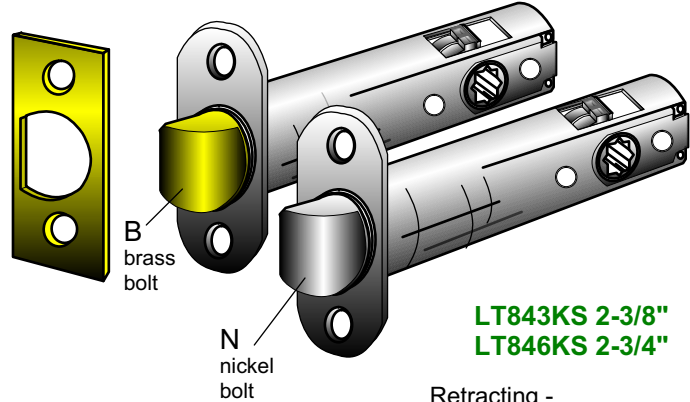
- See Page L02 Code Interpretation Guide for ordering  
- For extended T Strikes, Full Lip Strikes and Combo Faceplate/Strikes please refer to pages L12 and L13



# Models LT843 LT846 Heavy Duty Passage Latch with through bolting holes

Models LT843, 846 Tubular Latch has a unique design - requiring only 28 degrees, both clockwise and counter-clockwise rotations on either side to retract the Bolt.

The forged solid brass Bolt is reversible to facilitate door handing; supplied with satin brass "B" or satin nickel "N" finishes. Please specify when ordering.



**LT843KS 2-3/8"**  
**LT846KS 2-3/4"**

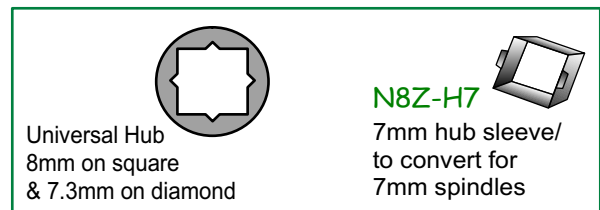
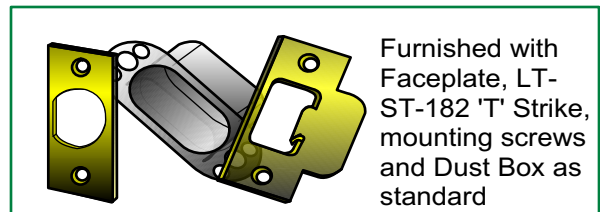
Retracting -  
28 degrees both  
clockwise and  
counterclockwise

L09

The housing features with a pair of 38mm center to center holes, allowing trim / rosette through bolting mount horizontally. The 28 degree short retracting Latches are assembled with Knob strength only. Power Pack (LT-RS150) or a similar assist spring cage on each side is recommended for Lever application. Passage function only.

Hub size: 8.0mm Square/7.3mm Diamond  
A Hub Sleeve (N8Z-H7) is to order for 7mm-Spindle application.

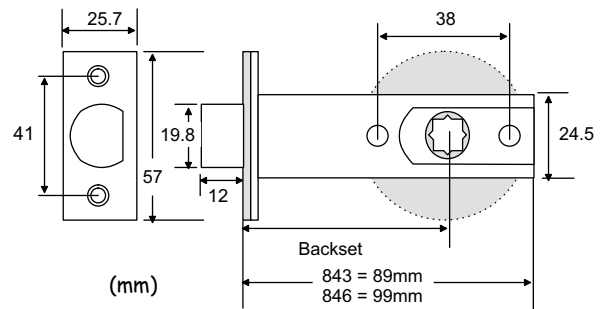
Finishes: US10, 10B, 14, 15, 15A, 19, 26, 26D, 3, 32, 32D, 4, 5, & 9



Stock No.	Backset	Function	Retracting
<b>Brass Bolt -</b>			
LT843KS8B-__	2-3/8"(60mm)	Passage (K/K)	28°
LT846KS8B-__	2-3/4"(70mm)	Passage (K/K)	28°

<b>Nickel Bolt -</b>			
LT843KS8N-__	2-3/8"(60mm)	Passage (K/K)	28°
LT846KS8N-__	2-3/4"(70mm)	Passage (K/K)	28°

- See Page L02 Code Interpretation Guide for ordering  
- For extended T Strikes, Full Lip Strikes and Combo Faceplate/Strikes please refer to pages L12 and L13



# Series LT860 Heavy Duty Magnetic Privacy/Passage Latch

**No Latch tongue or strike protuberance object for clothes catching, finish scratching or children being hurt.**

Series LT860 Magnetic Tubular Latch features heavy duty magnetic both on the brass latch bolt and strike. The locking bolt sits flush inside the latch front when door is open. No protuberance object that eliminates children being hurt, clothes catching or strike scratching etc. Door is latched automatically when is closed.

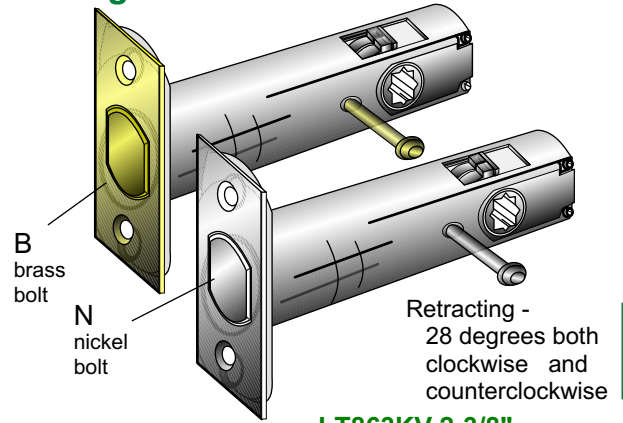
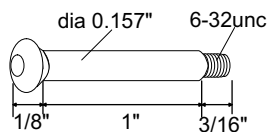
The latch requires only 28 degrees, both clockwise and counter-clockwise rotations on either side to retract the bolt. Concealed magnetic bolt is supplied with satin brass "B" or satin nickel "N" finishes.

The 28 degree short retracting Latches are assembled with Knob strength only. Power Pack (LT-RS150) or a similar assist spring cage on each side is recommended for Lever application.

Latch is constructed with Privacy function. Eliminating the installation of the Privacy Pin works as a passage latch.

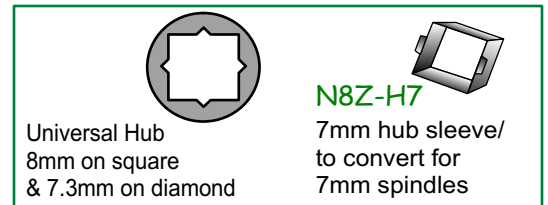
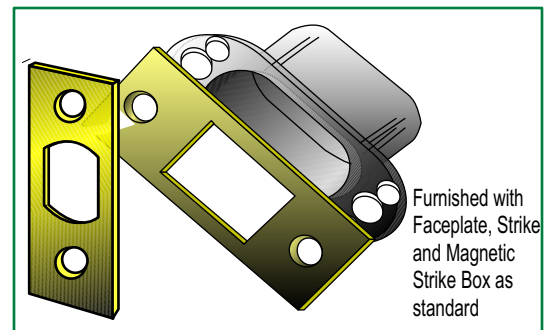
Finishes: US10, 10B, 14, 15, 15A, 19, 26, 26D, 3, 32D, 4, 5, & 9

Hub size: 8.0mm Square + 7.3mm Diamond



**LT863KV 2-3/8\"**  
**LT866KV 2-3/4\"**

**L10**



Stock No.	Backset	Function	Retracting
-----------	---------	----------	------------

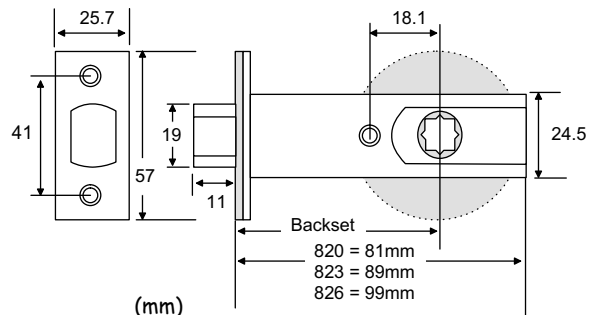
**Brass Bolt -**

LT863KV8B-__	2-3/8"(60mm)	Privacy (K/K)	28 <sup>°</sup>
LT866KV8B-__	2-3/4"(70mm)	Privacy (K/K)	28 <sup>°</sup>

**Nickel Bolt -**

LT863KV8N-__	2-3/8"(60mm)	Privacy (K/K)	28 <sup>°</sup>
LT866KV8N-__	2-3/4"(70mm)	Privacy (K/K)	28 <sup>°</sup>

- See Page L02 Code Interpretation Guide for ordering  
- For extended T Strikes, Full Lip Strikes and Combo Faceplate/Strikes please refer to pages L12 and L13

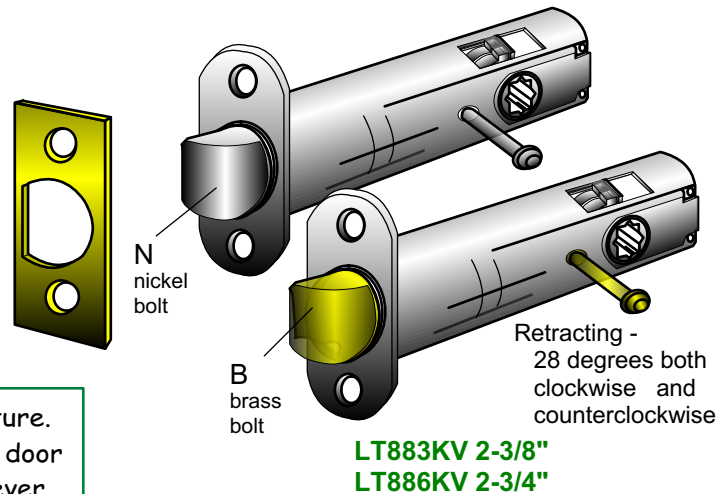
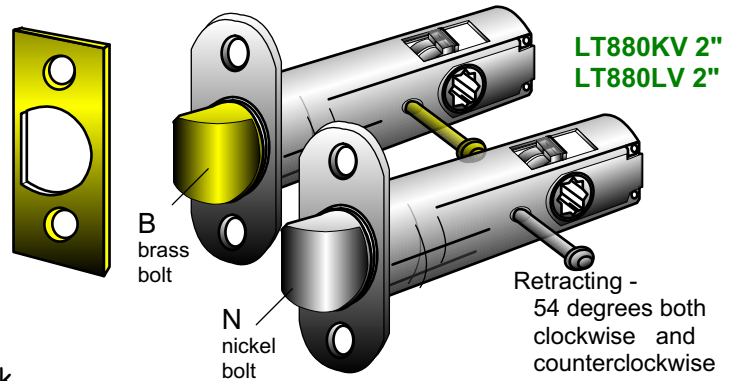


# Series LT880 Heavy Duty Tubular Latch

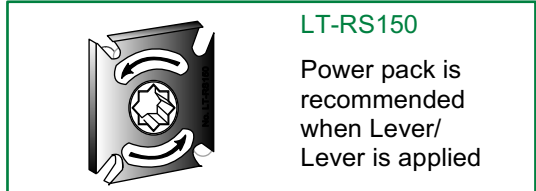
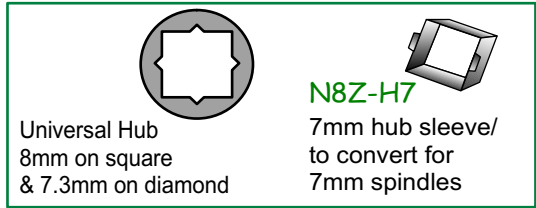
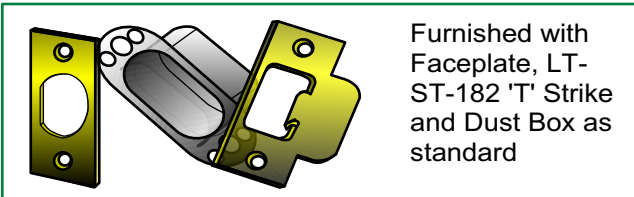
Series LT880 Tubular Latch has a unique design - requiring only 28 degrees for the 2-3/8" and 2-3/4" backsets, 52 degrees for 2" backset; both clockwise and counter-clockwise rotations on either side to retract the bolt. The forged solid brass tongue is reversible to facilitate door handing; supplied with satin brass "B" or satin nickel "N" finishes. Please specify when ordering. The 28 degree short retracting Latches are assembled with Knob strength only. Power Pack (LT-RS150) or a similar assist spring cage on each side is recommended for Lever application. Model LT880 2" is available with Knob or Lever strengths.

Latch is constructed with Privacy function. Eliminating the installation of the Privacy Pin works as a passage latch.

Hub size: 8.0mm Square/7.3mm Diamond  
Finishes: US10, 10B, 14, 15, 15A, 19, 26, 26D, 3, 32D, 4, 5, & 9



The Privacy function has an anti-lock feature. Depressing the latch bolt by strike when door is closing, or operating the inside Knob/Lever unlocks the latch.



Stock No.	Backset	Function	Retracting
-----------	---------	----------	------------

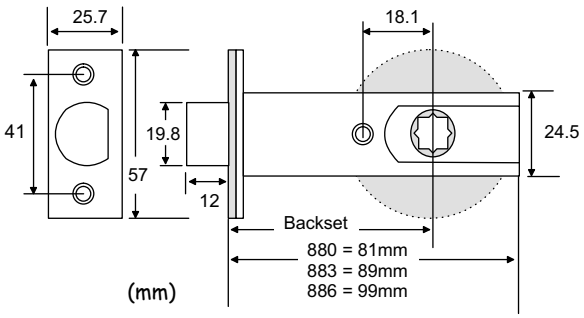
**Brass Bolt -**

LT880KV8B-__	2" (50mm)	Privacy (K/K)	54°
LT880LV8B-__	2" (50mm)	Privacy (L/L)	54°
LT883KV8B-__	2-3/8"(60mm)	Privacy (K/K)	28°
LT886KV8B-__	2-3/4"(70mm)	Privacy (K/K)	28°

**Nickel Bolt -**

LT880KV8N-__	2" (50mm)	Privacy (K/K)	54°
LT880LV8N-__	2" (50mm)	Privacy (L/L)	54°
LT883KV8N-__	2-3/8"(60mm)	Privacy (K/K)	28°
LT886KV8N-__	2-3/4"(70mm)	Privacy (K/K)	28°

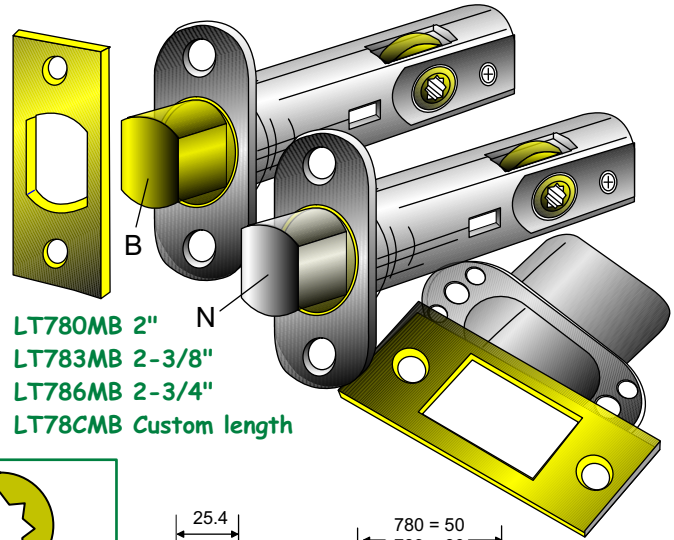
- See Page L02 Code Interpretation Guide for ordering  
- For extended T Strikes, Full Lip Strikes and Combo Faceplate/Strikes please refer to pages L13 and L14



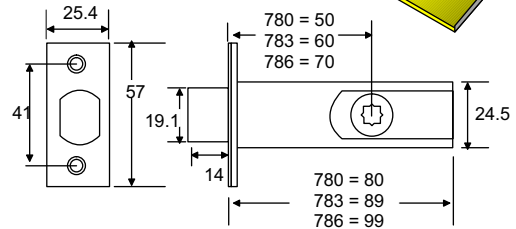
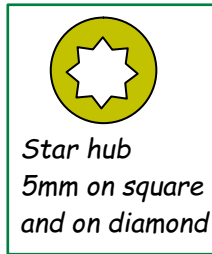
**Mortise bolt**

Series LT780 Heavy Duty Mortise Bolts are constructed with a chrome finished metal case. The 9/16" throw solid brass bolt is supplied in satin brass (B) or satin nickel (N) finishes, to match with the finished Faceplate/Strike as follows : US9, 10, 10B, 14, 15, 15A, 19, 26, 26D, 3, 32, 32D, 4, 5 & 9.

Three backsets are available to facilitate door applications; can also be paired with Baton Series LT580, 680, 780 and 880 Passage Latches for elegant and classic mount, using the optional Combo Faceplate/Strike as shown on page L13.

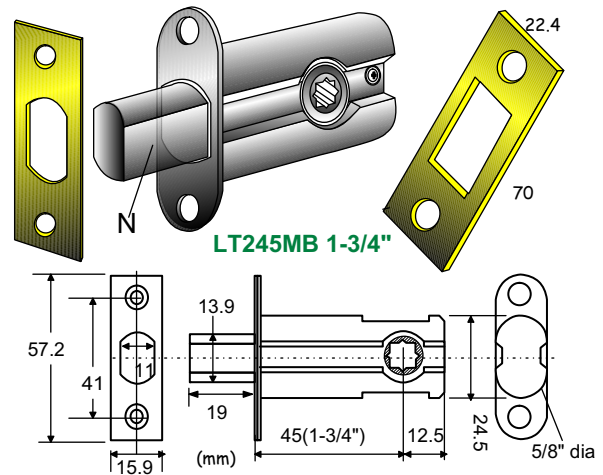


Model LT245 features a 5/8" wide Armor Front and Faceplate, ideal for both thick and thin door applications. Please see page L01 for details and finishes available from stock.



The star hub constructed on all models, facilitates a wide range of Thumb Turns (TX-TA/TB/TD) that are formed with a 5mm spindle or a breakable flat tail. Furnished with Faceplate, Strike, Dust Box(n/a for LT245MB) and mounting Screws in individual plain box.

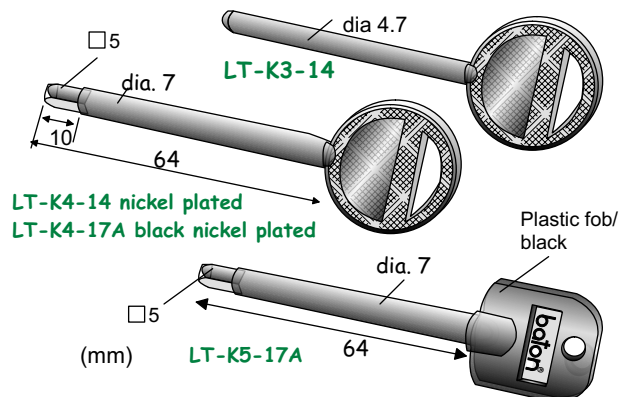
Stock No.	Backset	Bolt Throw	Bolt Finish
LT245MB5 B/N	1-3/4" (45mm)	3/4"	US15
LT780MB5 B/N	2" (51mm)	9/16"	US4, 15
LT783MB5 B/N	2-3/8" (60mm)	9/16"	US4, 15
LT786MB5 B/N	2-3/4" (70mm)	9/16"	US4, 15
LT78CMB5 B/N	Custom length	9/16"	US4, 15



**Turn and Emergency Release Keys**

Steel construction. Turn Key is ideal for operating Mortise Bolt or Lock that is formed with a turning hub that works with a 5mm spindle. Emergency Release Key has a 3/16" x 2.5" long shank, allows to depress the privacy block on 'LT' Privacy Latches through the release pin hole to unlock the door.

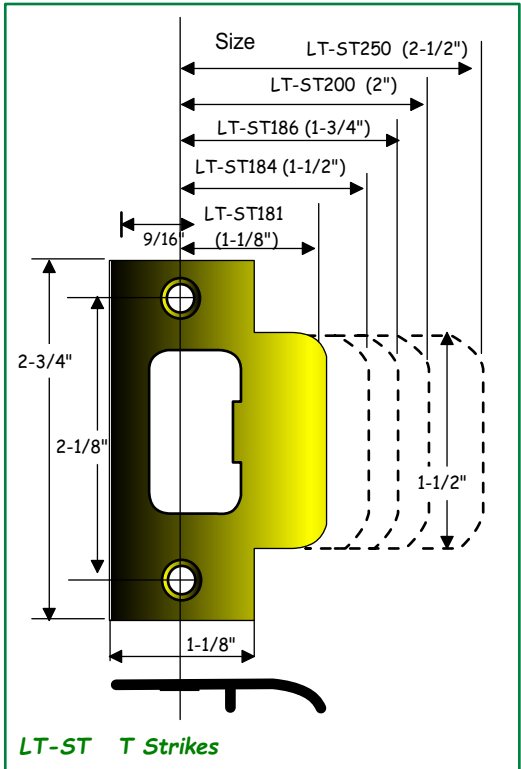
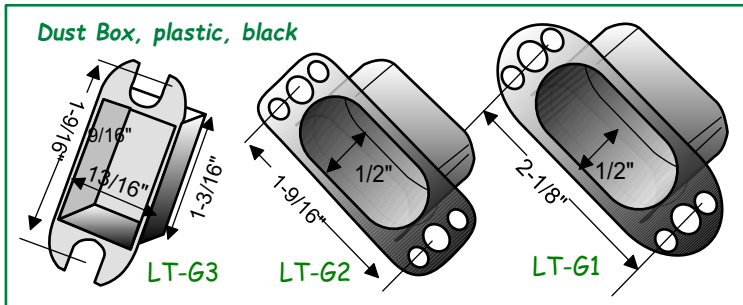
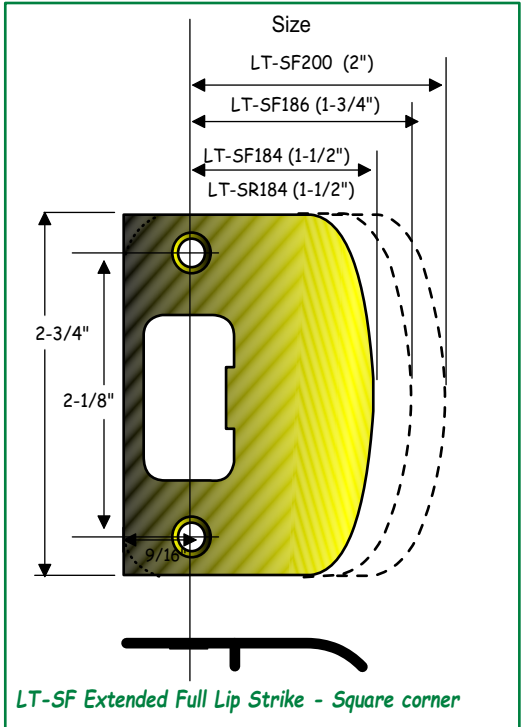
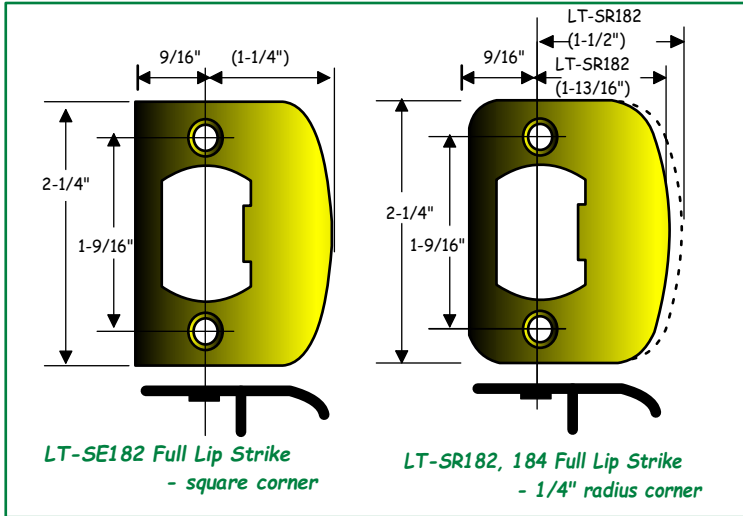
Stock No.	Description
LT-K3-14	Emergency Release key
LT-K4-14	Turn Key, nickel plated
LT-K4-17A	Turn Key, black nickel plated
LT-K5-17A	Turn Key, black nickel plate with plastic/black fob



# Series LT 'Full Lip', 'T' Strikes & Dust Box for Tubular Latch

Baton's series LT 'T' and 'Full Lip' Strikes are made of 1.2mm thick brass, bronze or stainless steel. Packed individually in polybag w/2 screws.

L13



Stock No	Description/size	Finishes / stock	Dust box to use
LT-SE182	Full Lip Strike 1-1/4"	US 9,10,10B,14,15,15A 19,26,26D,32,32D,3R,4,5	LT-G2
LT-SF184	Full Lip Strike 1-1/2"	US 10B, 15, 15A, 19,	LT-G1
LT-SF186	" 1-3/4"	26, 3, 3N, 32, 32D, 5	
LT-SF200	" 2"		
LT-SR182	Full Lip Strike 1-3/16"	US 10B, 19, 32D	LT-G2
LT-SR184	Full Lip Strike 1-1/2"	US 10B, 15A, 3, 32D	LT-G2
LT-ST181	T Strike, 1-1/8"	US 19, 26, 26D	LT-G1
LT-ST182	T Strike, 1-1/4"	US 10,10B,14,15,15A,19 26, 3, 32, 32D, 3N, 4, 5,	LT-G1
LT-ST184	T Strike 1-1/2"	US 10B, 14, 15A, 19, 26, 3, 32, 32D, 5	LT-G1
LT-ST186	" 1-3/4"		
LT-ST200	" 2"		
LT-ST284	" 2-1/2"		

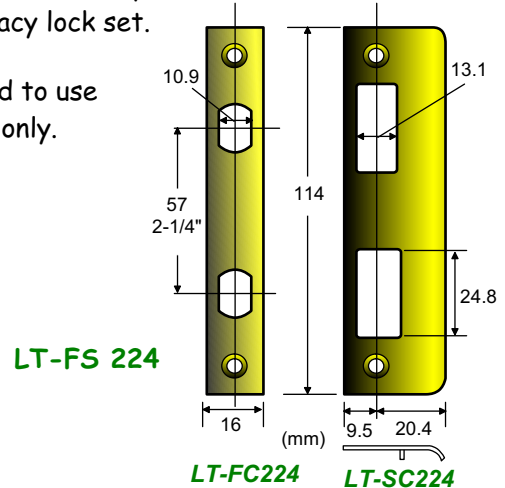
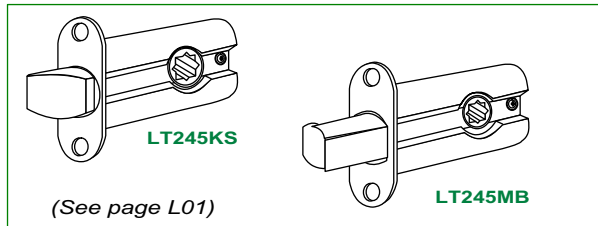
# Combo Faceplate & Strike for 'LT' T Latch + Mortise Bolt

## Combo Faceplate/Strike Package

Baton Combo Faceplate/Strike packages are specially designed for easy combination mount of one Baton Tubular Latch and one Mortise Bolt to work as a classic privacy lock set.

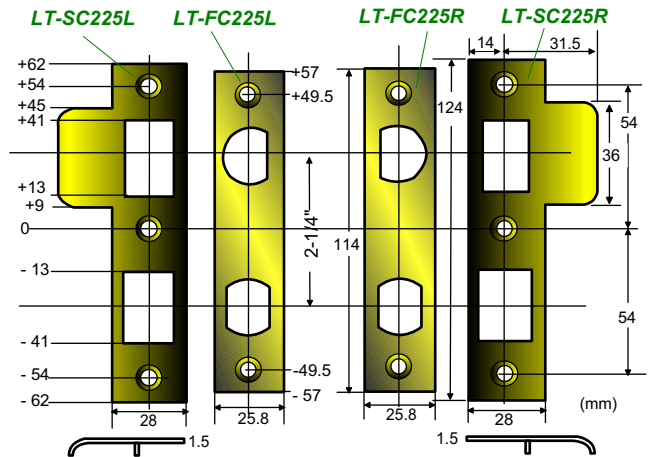
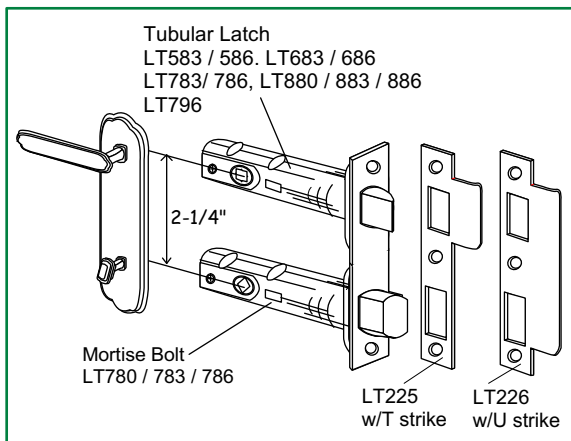
Model LT-FS224 has very narrow Faceplate and is designed to use for LT245 1-3/4" backset Mortise Bolt and Passage Latch only.

Non-handed. Finishes: US10B, 3 & 32D

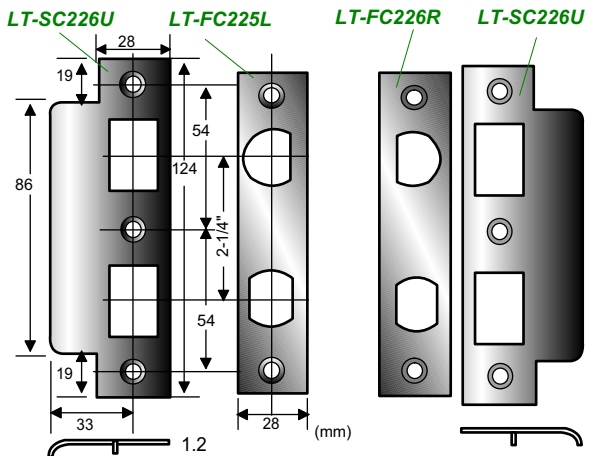


L14

Model LT-FS225 / LT-FS226 are designed to use for the series 'LT' regular Tubular Passage Latches and Mortise Bolts. Specify handing when ordering.



LT-FS 225 L (Left hand)      LT-FS 225 R (Right hand)



LT-FS 226L(Left hand)      LT-FS 226R(Right hand)

Stock No.	Description	Finishes
LT-FS224	Combo Faceplate/Strike set	10B,3,32D
LT-FC225 L LT-FC225 R	Combo Faceplate LH Combo Faceplate RH	10B,15,15A, 26,3,32D,PVD
LT-SC225 L LT-SC225 R	Combo T Strike LH Combo T Strike RH	15A,26,9,PVD
LT-FS225 L LT-FS225 R	Combo Face/Strike set LH Combo Face/Strike set RH	26, PVD
LT-FS226 L LT-FS226 R	Combo Face/U Strike set LH Combo Face/U Strike set RH	10B,3,32D
LT-SC226 U	Combo Strike universal	10B,15,3,32D



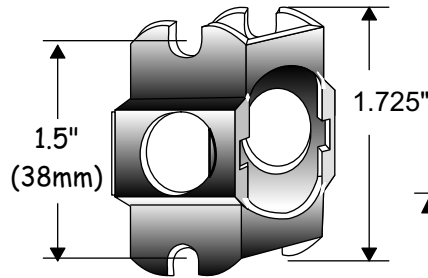
**Models LT-MA186/281 Stabilizer & LT-RS150 Power Pack**

L15

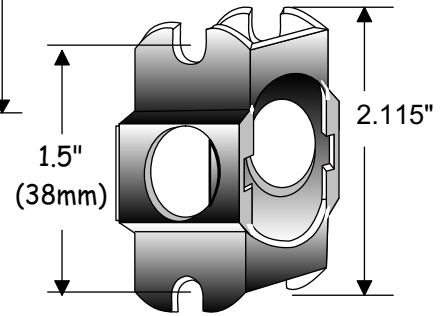
**Stabilizer**

Series LT-MA Nylon Stabilizer has a 0.983" in diameter with 0.75" 2-flat center hole, fits Baton series LT580, LT590, LT680, LT780 and LT880 Tubular Latch; or can be used with the LT-RA Rosette Adapter to hold the bolting post of the rosette in place.

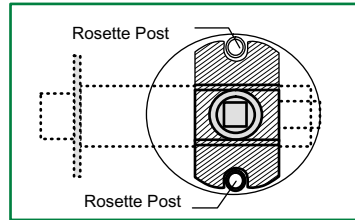
- Two sizes are available from stock:
- LT-MA186 - to be used for 1-3/4" or larger face bore on door.
- LT-MA281 - to be used for 2-1/8" face bore on door.



LT-MA186



LT-MA281

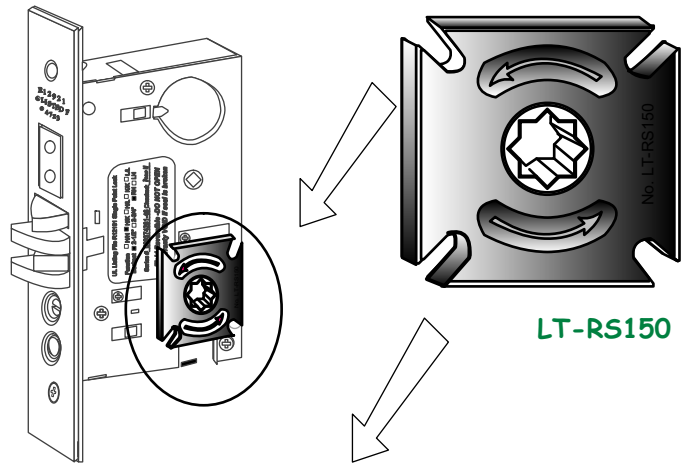


Stock No.	Description
LT-MA 186	Stabilizer 1-3/4" (f/1-3/4" face bore)
LT-MA 281	Stabilizer 2-1/8" (f/2-1/8" face bore)

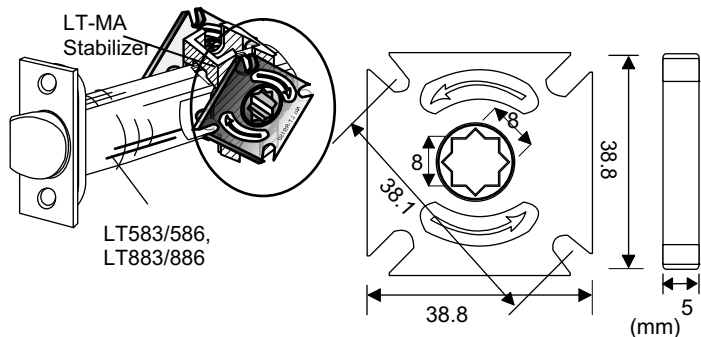
**Power pack**

Die cast zinc alloy case, and hub sealed with metal cover for long lasting operation. The universal 8mm star hub plus the 4 slots on case corners make this Power pack ideal for use on horizontal, vertical or diagonal mounts.

The Power Pack is designed for use with the Lever action in both Mortise Lock and Tubular Latch applications. Ideal for use with those extra-heavy levers. Rotation angle : 45 degree maximum.



LT-RS150



Stock No	Description	Max turning
LT-RS150	Power Pack	45 degrees one way

LT-MA Stabilizer  
LT583/586,  
LT883/886

**LT-RA281C & RA281D**

The bracket of models LT-RA281C, RA281D Rosette Adapters are made of stainless steel. The 1-1/2" center to center threaded post works with Baton series LT580, LT590, LT680, LT780, LT790 and LT880 Tubular Latches; with or without using a stabilizer (LT-MA186/MA281). The 2-5/16" in diameter bracket is designed to retrofit the 2-1/8" pre-bored door. Furnished with a pair of nylon Bushing, accepts a 7.3mm or 8mm Spindle for smooth and long life operation. The Rosette Adapter also works with Baton series A, D, E and F Mortise Lock cases; or any others applications that accepts the pair of 1-1/2" center to center through bolting posts.

Model LT-RA281C is constructed with male 11/16"-27 threaded to receive a Rosette that is formed with the same threading on the center hole. Model LT-RA281D is furnished with a threaded Retainer that holds the non-threaded Rosette in place.

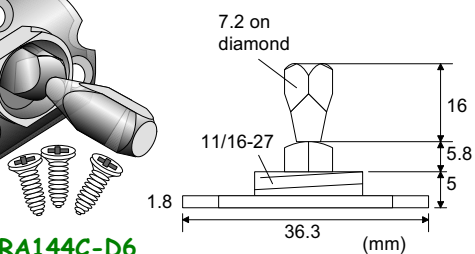
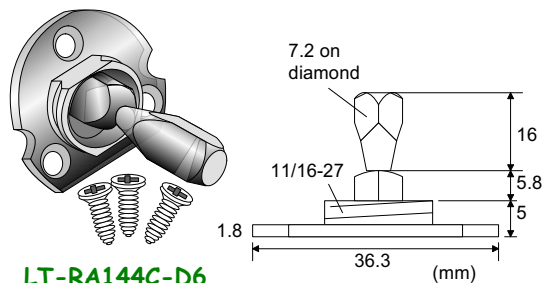
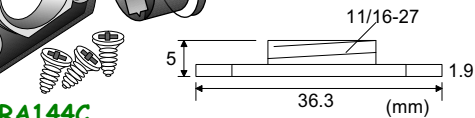
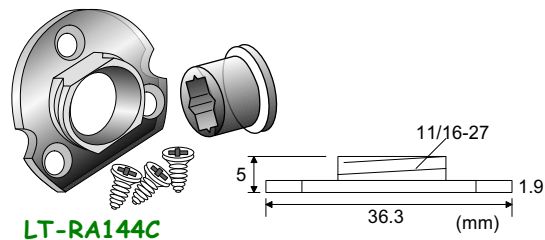
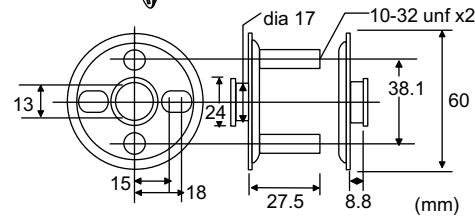
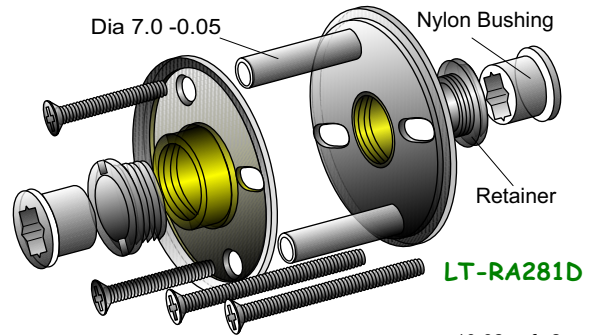
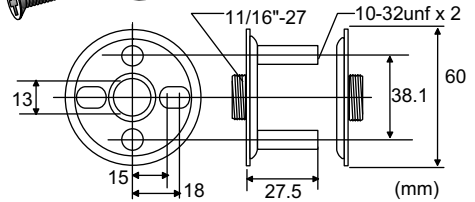
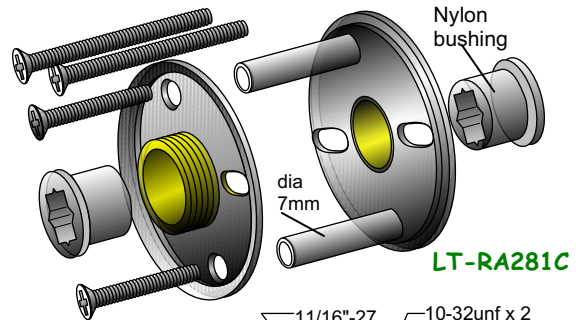
Dummy Adapter for above two models are available to order.

Furnished with one pair each of 1-1/8" and 1-7/8" long Bolting screws. Extension Coupler (D400-ZCs, as shown on Page D05) can be applied for thicker door applications.

**LT-RA144C & LTRA144C-D6**

Model LT-RA144C is made of die cast alloy. The base is 1-7/16" in diameter, accepts both elegant/small and common regular threaded (11/16"-27) rosettes. Furnished with nylon bushing and 1/2" wood screws x 3.

Elegant dummy rosette adapter is constructed with one 1" long 7.3mm spindle on diamond. Please refer to model LT-RA144C-D6 when ordering.



Stock No.	Description
LT-RA144C	Rosette Adapter, 1-7/16"
LT-RA144C-D6	Dummy Rosette Adapter, 1-7/16" - for 7.3mm on diamond knob/lever
LT-RA 281C	Rosette Adapter, the original, 2-1/8"
LT-RA 281D	Rosette Adapter, plug type, 2-1/8"

### Transfer Unit

Baton series LT-RT Transfer Unit for Grip Handle are made of cast alloy and constructed with a spring-action powder steel working gear and hub swivel to ensure the smooth, durable and long life operation.

One pair each of the Threaded Posts and Blocking Studs constructed allows the Transfer Unit be installed with an optional nylon Stabilizer (LT-MA186/MA281) to stabilize the latch installation and the operation engaged by the Thumb Piece. Maxi. turning: 65 degrees, counterclockwise

To facilitate the design of your Grip handle, the 8mm metal Gear Hub can be set on the square or 22.5 degrees offset to the right. Please specify when ordering.

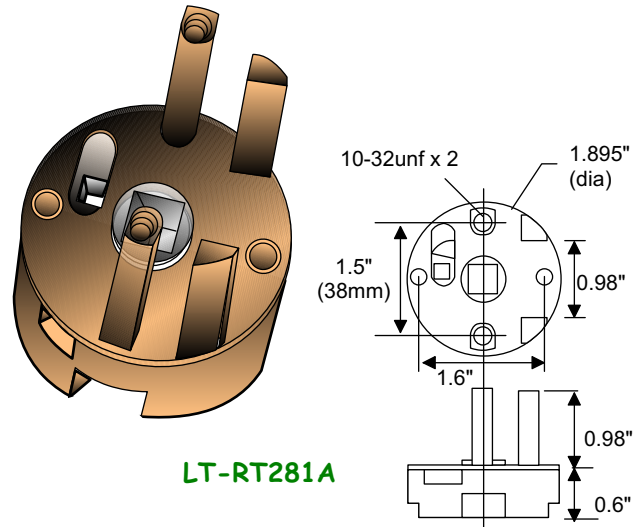
Recommend matching Tubular Latches:  
Baton LT583KS, LT586KS, LT595KS,  
Baton LT683TS, LT686TS,  
Baton LT880KS, LT883KS, LT886KS

Stock No.	Description	Retracting
LT-RT281A	Transfer Unit, hub on square	65 degree
LT-RT281B	Transfer Unit, hub offset	42.5 degree

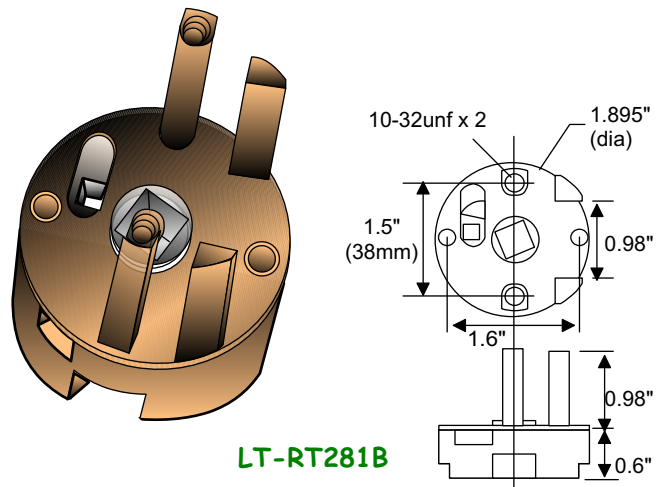
### Thumb Piece

The forged brass/unfinished Thumb pieces are designed to engage the Transfer Unit. Two models are available to order

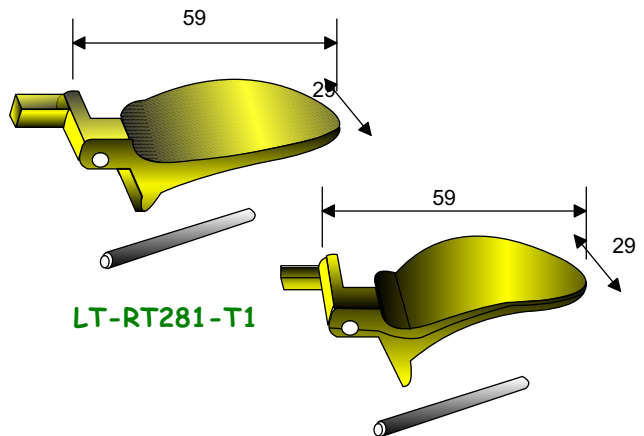
Stock No.	Description
LT-RT281-T1	Thumb Piece, moden
LT-RT281-T2	Thumb Piece, classic



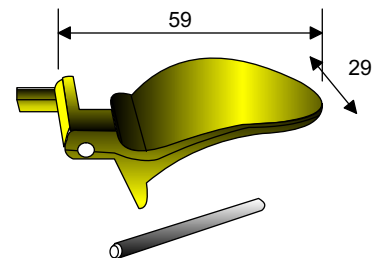
**LT-RT281A**



**LT-RT281B**



**LT-RT281-T1**



**LT-RT281-T2**



Baton series 'T' Trim, Lever, Knob and Thumb Turn sets as shown on the following pages can be purchased separately to match with the locking mechanisms mentioned on the previous pages. Series or model numbers for specific trims contain complete information.

The first two digits specify the "Series".

- "TA" - Trim sets for matching to series "A" American mortise lock cases
- "TE" - Trim sets for matching to series "E" Euro mortise lock cases
- "TF" - Trim sets for matching to series "F" Euro mortise lock cases
- "TG" - Trim sets for matching to series "G" Euro mortise lock cases
- "TL" - Lever set for using with above mortise lock cases to pair with cylinder rosettes as sectional setup or for series "LT" Tubular Latches
- "TX" - Trim, Knob, Lever or Thumb Turn sets that can possibly be used for all applications mentioned above.

T01

For example:








If a trim set is to match with the Mortise lock case A632HK, you may order the HK (Grip Handle outside/Knob inside) style trim set against the models TA30HK, TA40HK, TA60HK, TA70HK and TA80HK as shown on pages T03 to T10. The "TA" series trim sets are compatible with "A" series Mortise Locks only.

If the mortise lock case features a LL (Lever/Lever) construction, you may choose any model of the LL escutcheons as shown on pages T19 to T20; or, any style of the "TX-LJ" or "TX-LK" Lever sets as showed on page T21 to T23 with a selection of the Thumb Turn sets as shown on page 83 to install as sectional style trim set.

One can modify levers from the "TL" series by simply removing the rosette spring and cam stop, for use on most of the Mortise lock cases that is featured a LL construction.

The page following is a quick reference chart that specifies Trim, Lever, Knob and Thumb Turn sets that can normally be ordered to match with Mortise lock cases or Tubular Latch selections. Mix and match in styles and finishes for some items may be available to order. Please call Baton's CSR for details.

# Trim / Lever Sets Ordering Guide - 2 - Reference Chart

<p>Trim Sets available</p> <p>TA30 HH, HK, HL, KK, LL TA40 HH, HK, HL, KK, LL TA50 KK, LL TA60 HH, HK, HL, KK, LL TA70 HH, HK, HL, KK, LL TA80 HK TA91LL, TA95LL, TA96 LL</p>		<p>Lock case models / styles to match</p> <p>1) Series A Mortise Lock cases A500, A600, A700, A900</p>
<p>Trim Sets</p> <p>TE-G__ TE-H__ TE-U__ TE-V__ TE-X__</p>		<p>Lock style to match</p> <p>1) Euro Mortise Lock cases E600, E700, E900 Narrow backset E300</p>
<p>Trim Sets</p> <p>TF-B__ TF-D__ TF-E__ TF-G__ TF-H__</p>		<p>Lock style to match</p> <p>1) F400LL EN certified F Mortise Lock 2) F518LL Auto Lock</p>
<p>Trim Sets</p> <p>TG-U12-32D</p>		<p>Lock style to match</p> <p>1) G301, G308, G15, G307 Euro Mortise lock cases</p>
<p>Lever Sets</p> <p>TL-C__ TL-M__ TL-N__</p>		<p>Latch &amp; Lock style to match</p> <p>1) Tubular Latch LT200, LT300, LT580, LT595, LT670, LT680, LT780, LT840, LT880 LS/LV 2) Mortise Lock 'A', 'D', 'E', 'F', 'G', 'K' with optional 'TX' T Turn</p>
<p>Knob &amp; Lever Sets</p> <p>TX-KC__ TX-LJ__ TX-LK__</p>		<p>Latch &amp; Lock style to match</p> <p>1) Tubular Latch LT200, LT300, LT580, LT595, LT670, LT680, LT780, LT840, LT880 KS/KV/ LS/LV 2) Mortise Lock 'A', 'D', 'E', 'F', 'G', 'K' with optional 'TX' T Turn</p>
<p>Thumb Turn Sets</p> <p>TX-TA__ TX-TB__ TX-TD__</p>		<p>Mortise Bolt &amp; Lock style to match</p> <p>1) Mortise Bolt LT245MB, LT780MB 2) Interior Mortise Lock 'D' 3) Mortise Lock 'A', 'E', 'F' 4) Mortise Deadlock A775</p>

T02

Baton Series 'TL' Lever Sets provide the ultimate in elegance, beauty and style. It will accommodate Baton's series 'LT' Tubular Latches. Please refer to pages L01 to L09 for options.

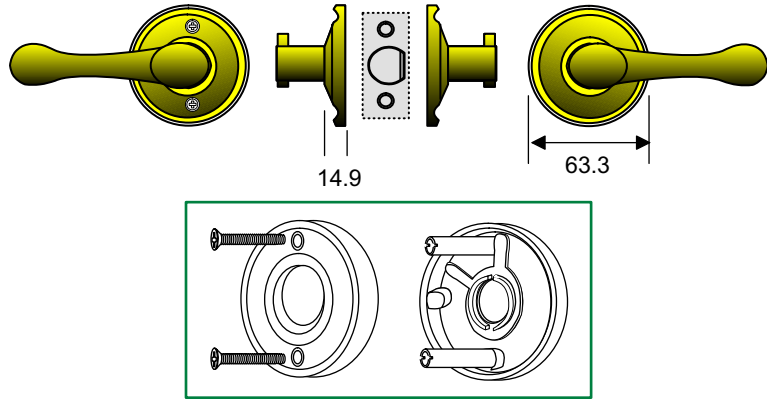
Three styles of Rosettes : Classic (C), Modern Large (M) and Modern Small (N) for your choice to adapt to the 8 styles of elegant Levers as shown on next page.

All rosettes are made of wrought brass and available in the following finishes:

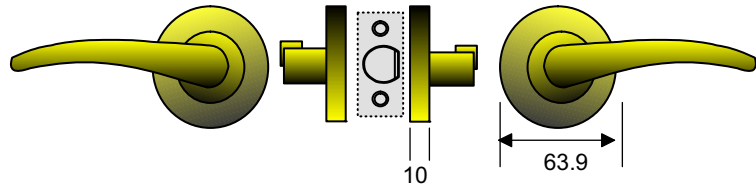
US10B, 15, 15A, 26, 3, 5 & PVD

Hub size: 8mm on square

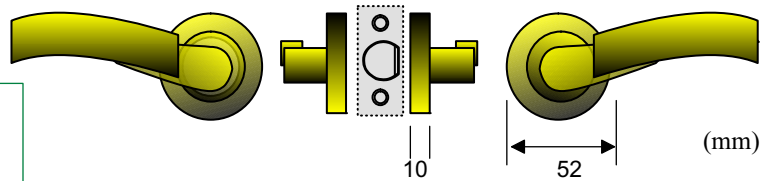
Classic style Rosette



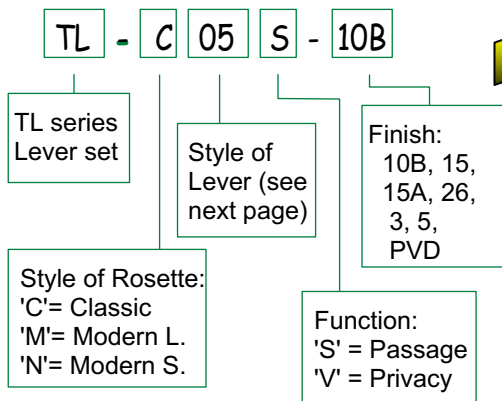
Modern style Rosette (L)



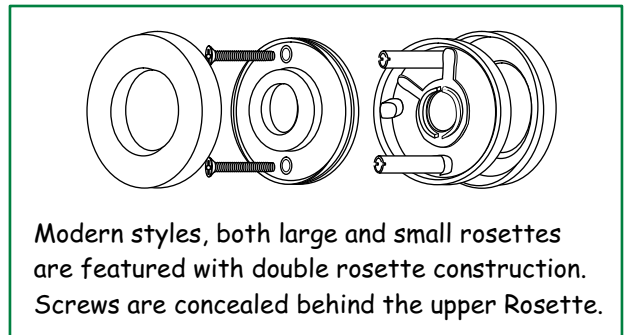
Modern style Rosette (S)



Code Interpretation Guide



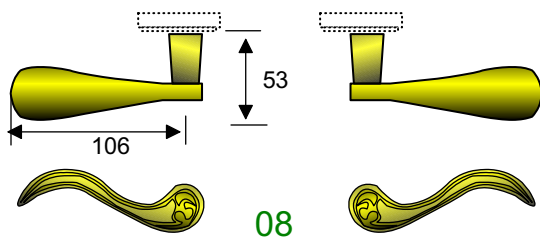
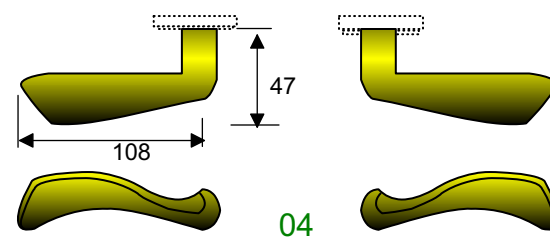
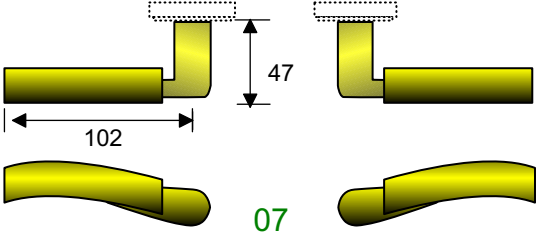
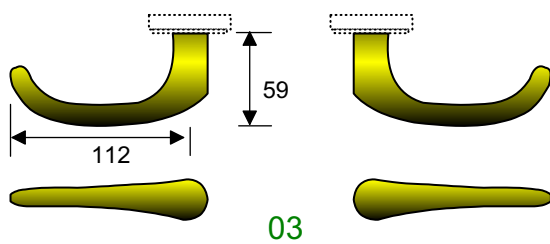
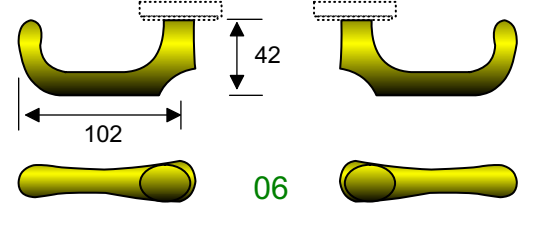
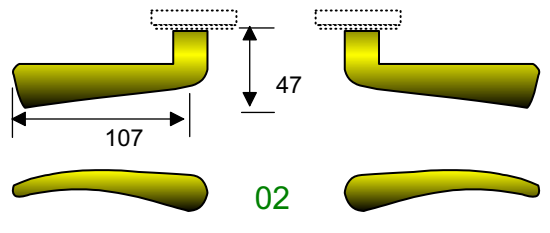
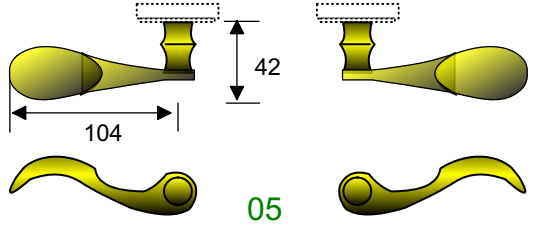
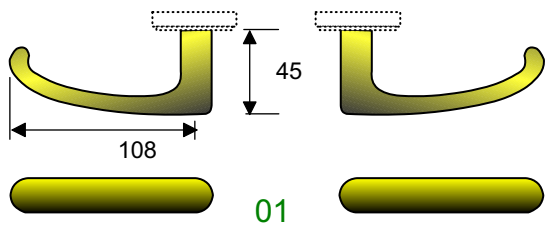
Model Nos.	Description	Finish
TL-C__	'U' type trim set	( See next page )
TL-M__	'V' type trim set	
TL-N__	'X' type trim set	



Latch is excluded. Please see pages L01~L12 for series 'LT' Passage or Privacy Latch, Mortise Bolt and related accessories.

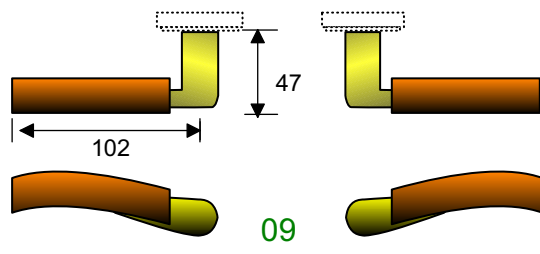
# Forged Brass Classic & Modern Levers for Series 'TL' Lever Sets

The Levers shown below are designed to match with the Classic, Modern Large and Modern Small Rosette of series 'TL' Lever Sets as per described on page left. Various finishes are available to order.



T20

Model Nos.	Material	Finish
01, 02, 03, 04, 05, 06, 07, 08	Wrought brass	10B, 15, 15A, 26, 26D, 3, PVD
09	Wrought brass w/mahogany deco	26, PVD





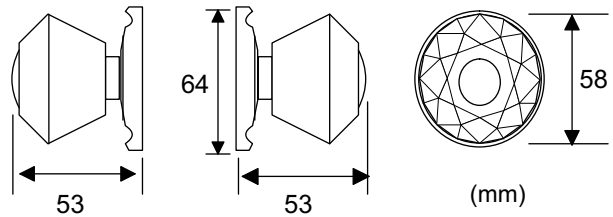
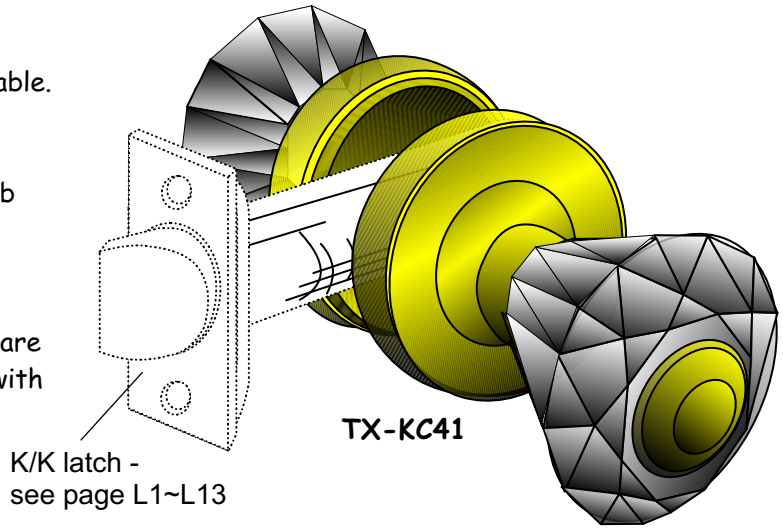
**Series 'TX-K'**  
**Crystal & Brass Knob Sets**

Baton Series 'TX-K' Knob Sets combine style and beauty. Three models are available.

Model TX-KC41 is featured with 2-5/16" Crystal Glass Knobs. The Rosette and knob shank are made of brass. Finish: US26 & PVD

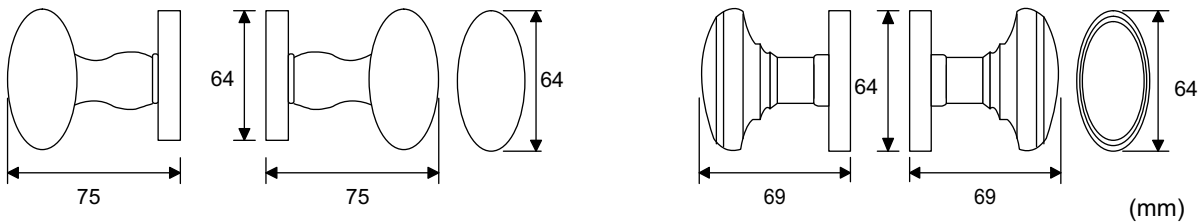
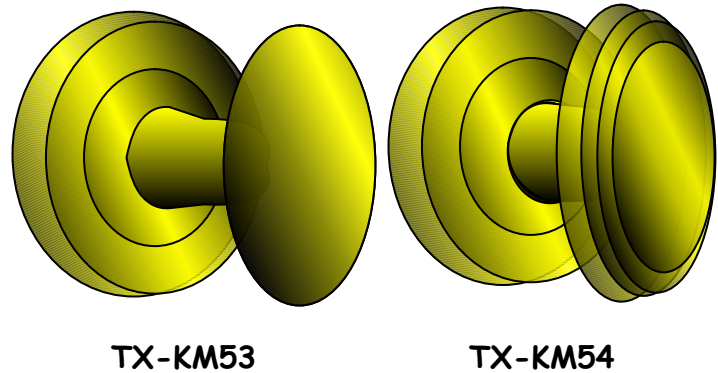
The knob of Models TX-KM53 and KM54 are made of forged brass, and are featured with a double Rosette design. The bolting screws are concealed behind the Snap-On upper Rosette. Both the upper and lower Rosettes are made of wrought brass. Hub size: 8mm on square

Finishes available :  
US10B, 15, 15A, 26, 3 & PVD



Model Nos.	Description
TX-KC41	Knob set, Crystal glass
TX-KM53	Knob set, Forged brass
TX-KM54	Knob set, Forged brass

- Latch and Mortise Lock case and Spindle are separate purchase items. Please refer to*
- a) pages L01~L09 for Series 'LT' Tubular Latches and related accessories
  - b) pages A01 to A10 for Series 'A' Mortise Lock Cases and
  - c) pages D10, D11 and E01~E13 for Series 'D', 'E', 'F', 'G', 'K' Mortise Lock Cases
  - d) page T25 for optional Spindles



Series TX-LJ Lever Sets are featured with Baton's LT-RA281 Rosette Adapter, coupled with stainless steel Rosettes and Levers.

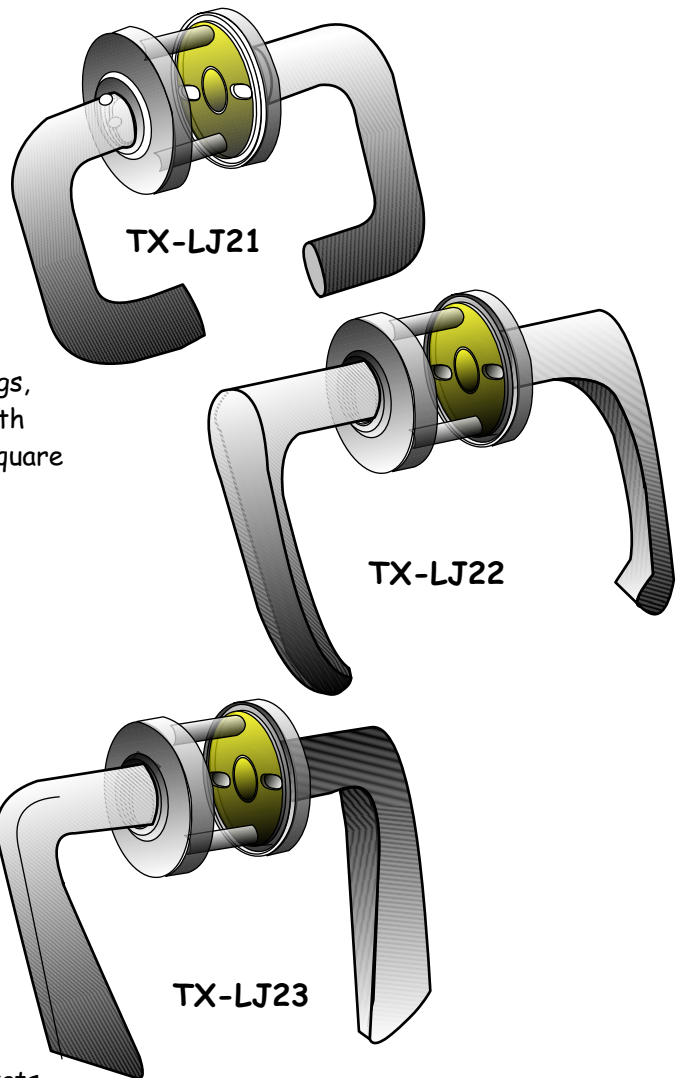
The concealed Mounting screw design allows these Lever sets to be used for series 'A' Mortise Lock, series 'F', 'E' Euro Mortise Lock, series 'D' Mortise Lock and series 'LT' Tubular Latches.

The package comes with 2 nylon spindle bushings, for 7.3mm and 8.0mm spindles, to ensure smooth and long lasting operation. Hub size: 8mm on square. Specify Passage or Privacy when ordering.

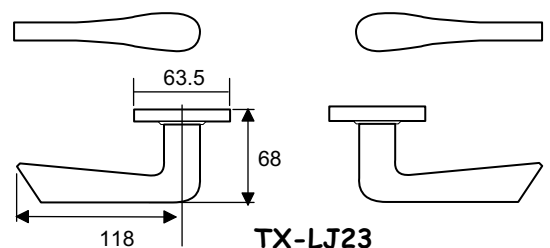
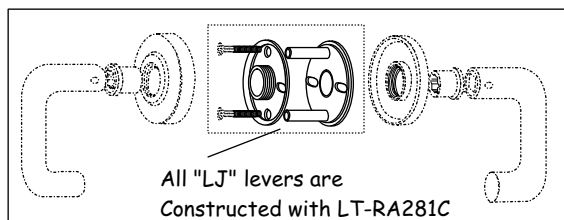
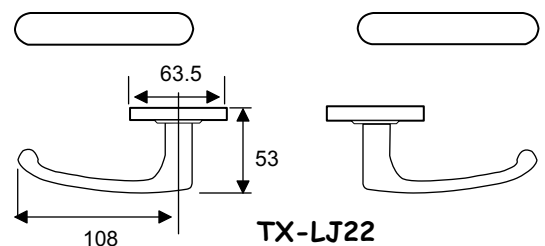
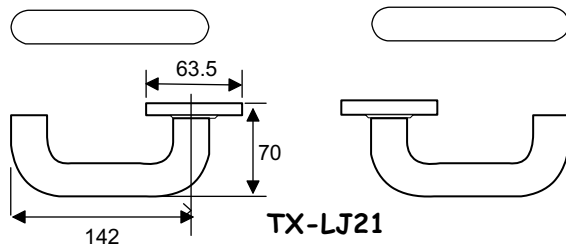
Stock No.	Description & finish
TX-LJ21	Lever set, US32D
TX-LJ22	Lever Set, US32D
TX-LJ23	Lever Set, US32D

Latch and Mortise Lock case and Spindle are separate purchase items. Please refer to

- a) pages L01~L17 for Series 'LT' Tubular Latches and related accessories
- b) pages A01 to A10 for Series 'A' Mortise Lock Cases and
- c) pages D10, D11 and E01~E13 for Series 'D', 'E', 'F', 'G', 'K' Mortise Lock Cases
- d) page X01~X02 for optional Spindles & brackets



**T22**

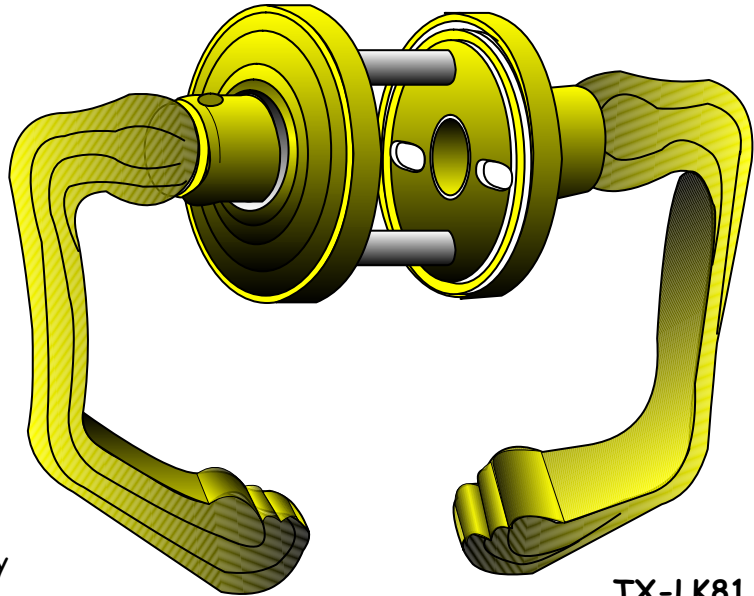


**Model TX-LK81 Classic Lever Set  
- Solid Stainless Steel**

Baton Series TX-LK81 Lever Set combines elegance and classic beauty. The investment casting stainless steel solid Lever and 2mm thick Rosette are constructed with Baton's plug type Rosette Adapter (LT-RA281D). Bolting screws are concealed, and coupled with unmatched style and reliability.

The 1-1/2" center to center threaded post works with Series 'LT' Tubular Latch and Series 'A' Mortise Lock cases.

Hub size: 8mm on square. Please refer to page 83 for optional Spindles. Specify Passage or Privacy when ordering.

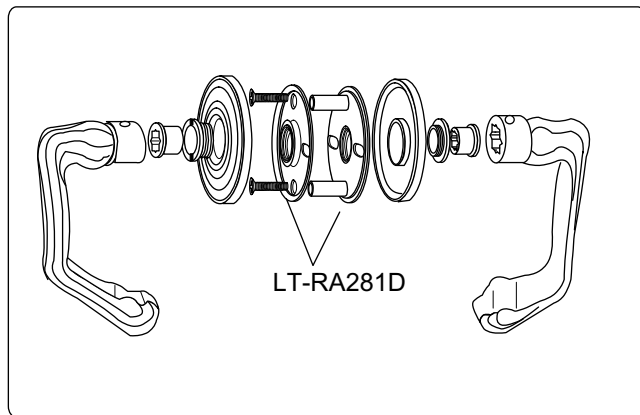


**TX-LK81**

**T23**

**Finishes:**

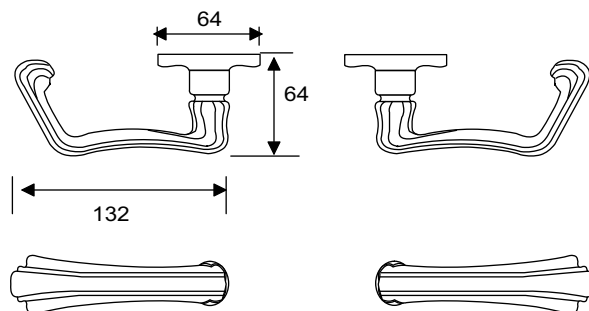
- US32     Bright polished stainless steel
- US32D     Satin stainless steel
- ZG32     Bright polished stainless steel and Zirconium/Gold
- ZG32D     Satin stainless steel and Zirconium/Gold



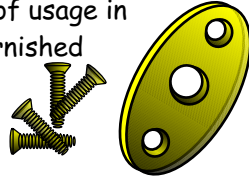
Sock No.	Description
TX-LK81	Classic Lever Set

*Latch and Mortise Lock case and Spindle are separate purchase items. Please refer to*

- a) pages L01~L09 for Series 'LT' Tubular Latches and related accessories
- b) pages A01 to A10 for Series 'A' Mortise Lock Cases and
- c) pages D10, D11 and E01~E13 for Series 'D', 'E', 'F', 'G', 'K' Mortise Lock Cases
- d) page T25 for optional Spindles



Baton series 'TX-T' Thumb Turns are made of forged brass. The optional 5mm square and breakable flat style steel spindles provide a wide range of usage in many applications. Furnished with front plate and mounting screws.

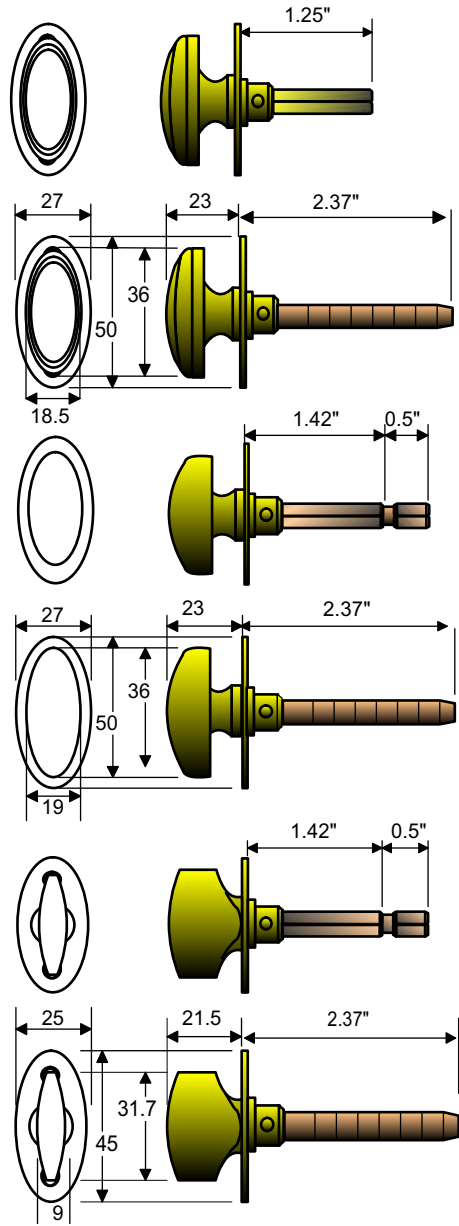
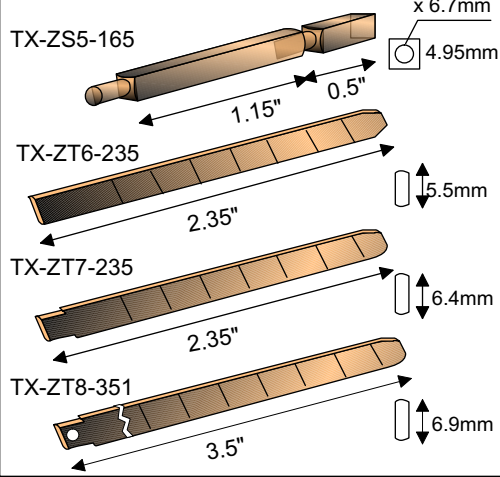


Finishes available:

- TA - US10B, 15, 15A, 19, 26, 3
- TB - US10B, 15, 26, 26D, 3, 3N
- TD - US15, 26D, 3, 3N



**Spindle and snapable Tails**



- ◆ TX-TA 5D - 5mm/ Diamond
- TX-TA 5S - 5mm/Square
- ▬ TX-TA 6V - 0.215" (5.5mm)
- ▬ TX-TA 7V - 0.25" (6.4mm)
- ◆ TX-TB 5D - 5mm/ Diamond
- TX-TB 5S - 5mm/Square
- ▬ TX-TA 6V - 0.215" (5.5mm)
- ▬ TX-TA 7V - 0.25" (6.4mm)
- ◆ TX-TD 5D - 5mm/ Diamond
- TX-TD 5S - 5mm/Square
- ▬ TX-TA 6V - 0.215" (5.5mm)
- ▬ TX-TA 7V - 0.25" (6.4mm)

**T24**

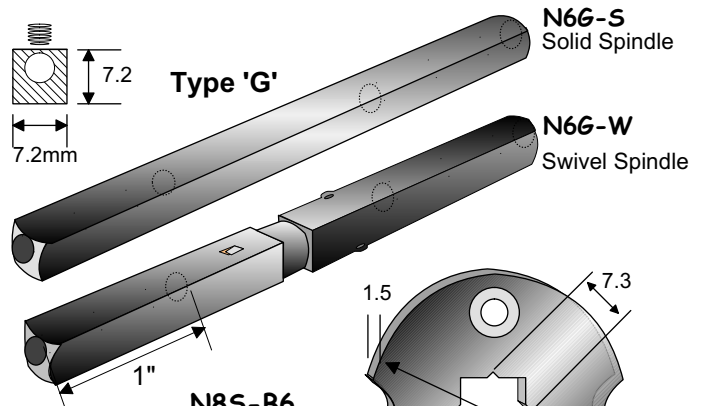
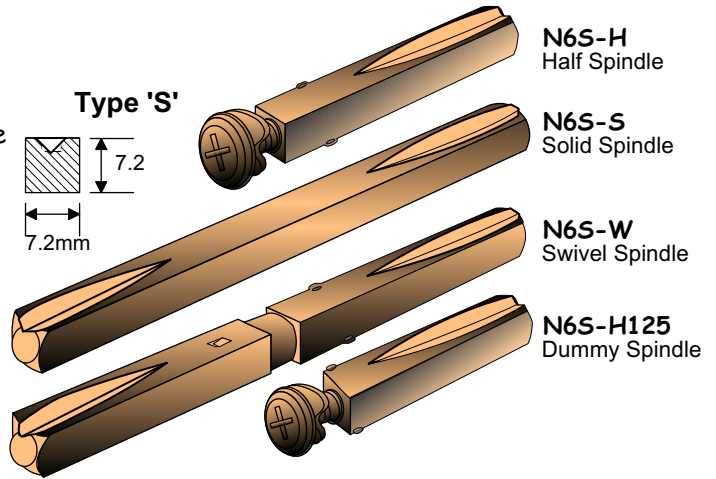
Model Nos.	Spindle type	Hub styles to fit	Baton products to fit
TX-TA 5D TX-TB 5D TX-TD 5D	5mm on Diamond ◆	⊕ ⊛ ⊠	Mortise lock case series A & C, D Mortise bolts LT245MB, LT780/783/786MB Dead bolt latch D400-DA/DB/DC/DF/DH
TX-TA 5S TX-TB 5S TX-TD 5S	5mm on Square ■	⊕ ⊠	LT245MB and Euro style latch/bolt comes with 5mm on square hub
TX-TA 6V TX-TB 6V TX-TD 6V	0.215" W on Vertical ▬	⊠	Mortise lock case series A, Hook lock C275HX, Mortise bolt LT245MB, LT780/ 783/786 w/5mm on Diamond hub
TX-TA 7V TX-TB 7V TX-TD 7V	0.25" W. on Vertical ▬	⊕ ⊕	Mortise lock cases seroes D500, D600 Deadbolt latches D4

# Series 'N6S'/'N6G' Spindles, Spindle Bracket and Dummy Units

## Spindles

Baton's series 'N6S' and 'N6G' Spindles are made of wrought steel for 7.3mm hub. Available with the following models:

- Half Spindle -  
for Grip Handle on one side with interior Knob/Lever trim (HL or HK).
- Solid Spindle -  
one piece construction, for Passage.
- Swivel Spindle -  
for Privacy and Entrance.



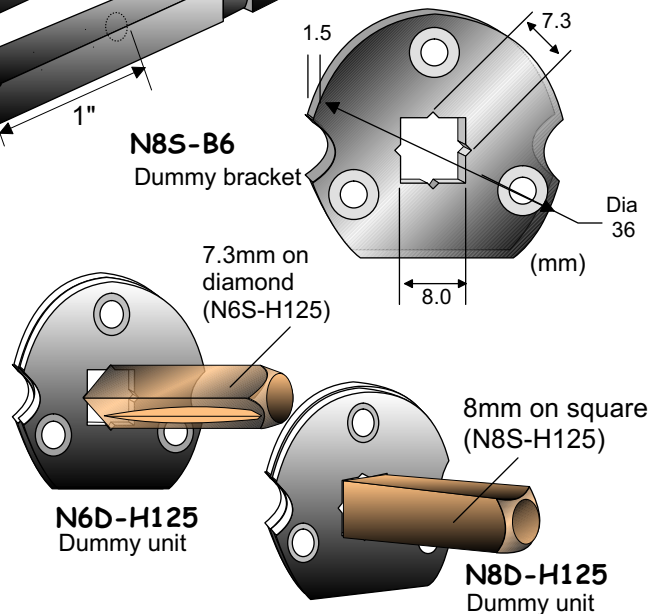
Stock No.		Description
Type S	Type G	
N6S-H125	-----	Dummy Spindle 1.25"
N6S-H275	-----	Half Spindle 2.75"
-----	N6G-S400	Solid Spindle 4"
N6S-S450	N6G-S450	Solid Spindle 4.5"
N6S-S500	-----	Solid Spindle 5"
N6S-W400	N6G-W400	Swivel Spindle 4"
N6S-W450	N6G-W450	Swivel Spindle 4.5"
N6S-W500	-----	Swivel Spindle 5"

X01

## Dummy Bracket

Dummy bracket is made of Stainless steel, formed with 7.3mm on diamond plus 8mm on square broaching, can be accommodated with both 7.3mm or 8.0mm spindles:

- a) Half Spindle for single side dummy trim
- b) Solid Spindle for double side dummy trim
- c) Swivel Spindle for one side dummy other side active

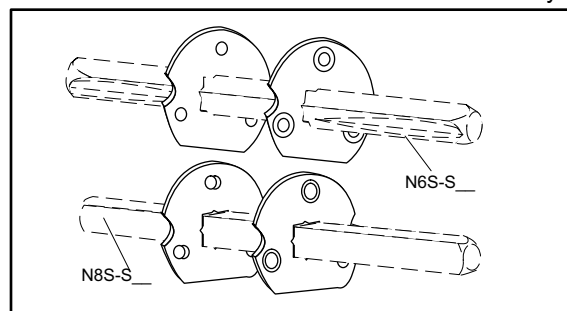


## Dummy Units

To fix with N6S-H125 on diamond or N8S-H125 on double thick dummy bracket as Dummy unit.

Furnished with 3/4" wood screws x 3

Stock No.	Description
N8S-B6	Spindle Bracket, for 7.3 & 8mm Spindles
N6D-H125	Dummy Unit w/ 7.3 mm x 1.25" spindle
N8D-H125	Dummy Unit w/ 8mm x 1.25" spindle

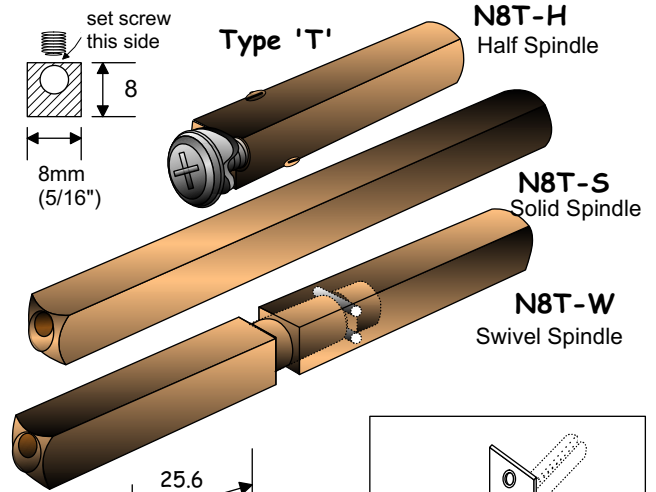
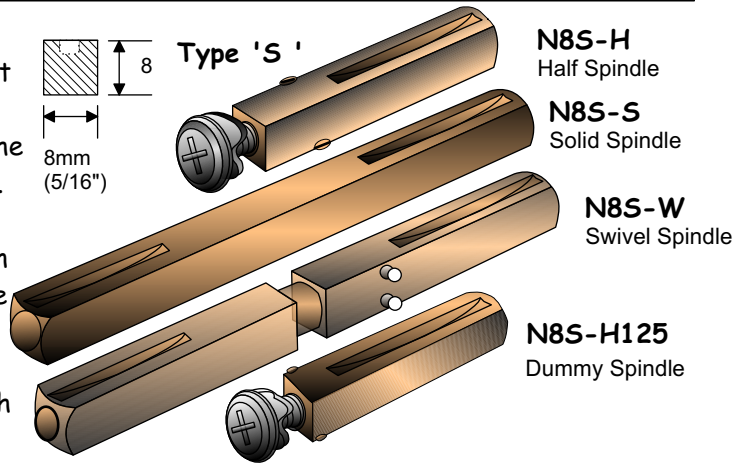


# Series 'N8' Spindle, Dummy Bracket Hub Sleeve - 8mm

## Spindles

Baton's series 'N' Spindles are made of wrought steel for 8mm hub. Two styles are available: 'NS' Spindles feature groove cut, facilitating the set screw of Knob/Lever mount without slipping. 'NT' Spindles feature a 7/16" off-center hole drilled to allow the pointed set screw to stick on to the spindle. Both styles are available with the following models:

- Dummy Spindle
- Half Spindle - for Grip Handle on one side with interior Knob/Lever trim (HL or HK).
- Solid Spindle - one piece construction, for Passage.
- Swivel Spindle - for Privacy and Entrance.



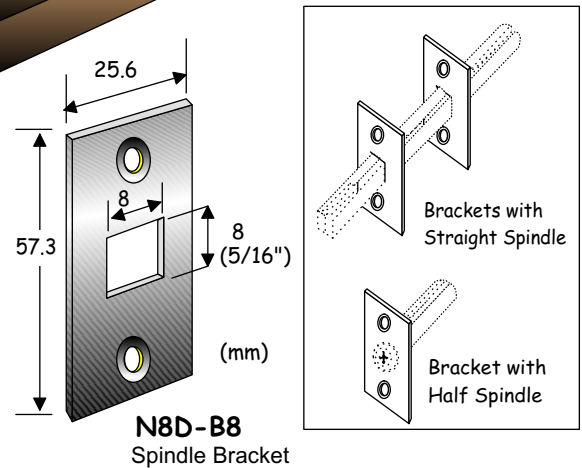
Stock No.		Description
Type S	Type T	
N8S-H 125	-----	Dummy Spindle 1.25"
N8S-H 275	-----	Half Spindle 2.5"
-----	N8T-H 350	Half Spindle 3.5"
N8S-S 400	N8T-S 400	Solid Spindle 4"
-----	N8T-S 437	Solid Spindle 4.375"
N8S-S 450	-----	Solid Spindle 4.5"
N8S-S 500	N8T-S 500	Solid Spindle 5"
-----	N8T-S 700	Solid Spindle 7"
N8S-W 400	N8T-W 400	Swivel Spindle 4"
-----	N8T-W 437	Swivel Spindle 4.375"
N8S-W 450	N8T-W 450	Swivel Spindle 4.5"
NS8-W 500	N8T-W 500	Swivel Spindle 5"
-----	N8T-W 700	Swivel Spindle 7"

**X02**

## Spindle Bracket- for Dummy trim

Stainless steel, can be accommodated with

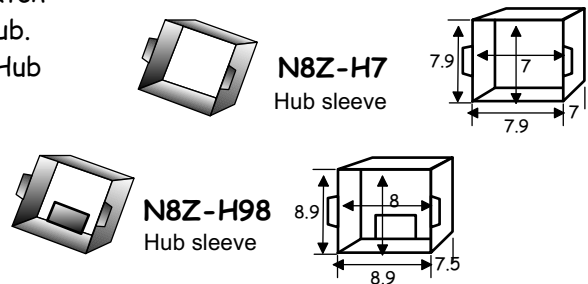
- Half Spindle for single side dummy trim mount,
- Straight Spindle for double side dummy trim mount, or c) Swivel Spindle for one side dummy and other side active.



## Hub Sleeve 7x7mm

- for converting a mortise lock case or Tubular Latch to take a 7x7mm spindle from a regular 8mm Hub.
- For the split hub application, simply insert the Hub Sleeve from each side of the Hubs.

Stock No.	Description
N8D-B8	Spindle Bracket, w/2 screws
N8Z-H7	Hub Sleeve 8mm hub to 7mm spindle
N8Z-H98	Hub Sleeve 9mm hub for 8mm spindle



# Measurement Chart - Inch vs. MM

Inch		MM
1/16"	0.0625"	1.5875
1/8"	0.1250"	3.1750
3/16"	0.1875"	4.7625
1/4"	0.2500"	6.3500
5/16"	0.3125"	7.9375
3/8"	0.3750"	9.5250
7/16"	0.4375"	11.1125
1/2"	0.5000"	12.7000
9/16"	0.5625"	14.2875
5/8"	0.6250"	15.8750
11/16"	0.6875"	17.4625
3/4"	0.7500"	19.0500
13/16"	0.8125"	20.6375
7/8"	0.8750"	22.2250
15/16"	0.9375"	23.8125
1"	1.0000"	25.4000

Inch		MM
1-1/16"	1.0625"	26.9875
1-1/8"	1.1250"	28.5750
1-3/16"	1.1875"	30.1625
1-1/4"	1.2500"	31.7500
1-5/16"	1.3125"	33.3375
1-3/8"	1.3750"	34.9250
1-7/16"	1.4375"	36.5125
1-1/2"	1.5000"	38.1000
1-9/16"	1.5625"	39.6875
1-5/8"	1.6250"	41.2750
1-11/16"	1.6875"	42.8625
1-3/4"	1.7500"	44.4500
1-13/16"	1.8125"	46.0375
1-7/8"	1.8750"	47.6250
1-15/16"	1.9375"	49.2125
2"	2.0000"	50.8000

Inch		MM
2-1/16"	2.0625"	52.3875
2-1/8"	2.1250"	53.9750
2-3/16"	2.1875"	55.5625
2-1/4"	2.2500"	57.1500
2-5/16"	2.3125"	58.7375
2-3/8"	2.3750"	60.3250
2-7/16"	2.4375"	61.9125
2-1/2"	2.5000"	63.5000
2-9/16"	2.5625"	65.0875
2-5/8"	2.6250"	66.6750
2-11/16"	2.6875"	68.2625
2-3/4"	2.7500"	69.8500
2-13/16"	2.8125"	71.4375
2-7/8"	2.8750"	73.0250
2-15/16"	2.9375"	74.6125
3"	3.0000"	76.2000

Inch		MM
3-1/16"	3.0625"	77.7875
3-1/8"	3.1250"	79.3750
3-3/16"	3.1875"	80.9625
3-1/4"	3.2500"	82.5500
3-5/16"	3.3125"	84.1375
3-3/8"	3.3750"	85.7250
3-7/16"	3.4375"	87.3125
3-1/2"	3.5000"	88.9000
3-9/16"	3.5625"	90.4875
3-5/8"	3.6250"	92.0750
3-11/16"	3.6875"	93.6625
3-3/4"	3.7500"	95.2500
3-13/16"	3.8125"	96.8375
3-7/8"	3.8750"	98.4250
3-15/16"	3.9375"	100.0125
4"	4.0000"	101.6000

Inch		MM
4-1/16"	4.0625"	103.1875
4-1/8"	4.1250"	104.7750
4-3/16"	4.1875"	106.3625
4-1/4"	4.2500"	107.9500
4-5/16"	4.3125"	109.5375
4-3/8"	4.3750"	111.1250
4-7/16"	4.4375"	112.7125
4-1/2"	4.5000"	114.3000
4-9/16"	4.5625"	115.8875
4-5/8"	4.6250"	117.4750
4-11/16"	4.6875"	119.0625
4-3/4"	4.7500"	120.6500
4-13/16"	4.8125"	122.2375
4-7/8"	4.8750"	123.8250
4-15/16"	4.9375"	125.4125
5"	5.0000"	127.0000

Inch		MM
5-1/16"	5.0625"	128.5875
5-1/8"	5.1250"	130.1750
5-3/16"	5.1875"	131.7625
5-1/4"	5.2500"	133.3500
5-5/16"	5.3125"	134.9375
5-3/8"	5.3750"	136.5250
5-7/16"	5.4375"	138.1125
5-1/2"	5.5000"	139.7000
5-9/16"	5.5625"	141.2875
5-5/8"	5.6250"	142.8750
5-11/16"	5.6875"	144.4625
5-3/4"	5.7500"	146.0500
5-13/16"	5.8125"	147.6375
5-7/8"	5.8750"	149.2250
5-15/16"	5.9375"	150.8125
6"	6.0000"	152.4000

X06



- The Lock Company